

Edition US 01

STEYR ARMS, Inc.
P.O. BOX 840
TRUSSVILLE, AL 35173
Tel. (205) 467-6544
Fax. (205) 467-3015
www.steyrarms.com



STEYR MANNLICHER GmbH
Ramingtonal 46, 4442 Kleinraming, Austria
www.steyr-mannlicher.com

OWNER'S MANUAL MANUEL DEL PROPIETARIO

STEYR AUG/A₃ SA USA



WARNING READ THIS MANUAL BEFORE LOADING OR USING YOUR STEYR AUG.
LEA ESTE MANUAL ANTES DE CARGAR O UTILIZAR EL RIFLE STEYR AUG.

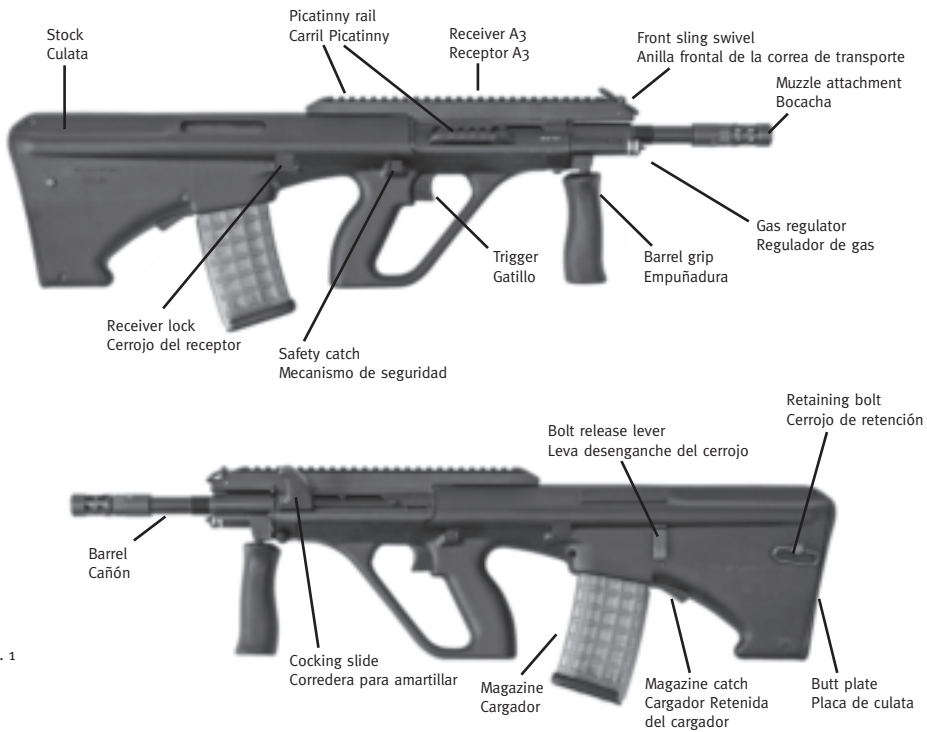


Fig. 1

Dear Customer,

With the purchase of the STEYR AUG/A3 SA USA you have acquired a rifle which meets the highest quality standards. This rifle has been conceived to state-of-the-art requirements of today's sports. Unsurpassed performance, superb quality, optimum user comfort in handling, and long service life have been the parameters the STEYR AUG has been designed for.

Copyright STEYR MANNLICHER GmbH
All rights reserved.

STEYR ARMS, Inc.
P.O. BOX 840
TRUSSVILLE, AL 35173
Tel. (205) 467-6544
Fax. (205) 467-3015
www.steyrarms.com







STEYR MANNLICHER GmbH
Ramingtal 46, 4442 Kleinraming, Austria
www.steyr-mannlicher.com


Owner's Manual

Read this manual and the warnings contained in it before loading or using your STEYR AUG. This manual explains the function and the handling of your STEYR AUG and warns of the potential dangers, including death and serious personal injury that can result from the unsafe use of your STEYR AUG. This manual should always accompany your STEYR AUG and be transferred with your STEYR AUG if it is sold or loaned to another person.

We want you to enjoy shooting your STEYR AUG, but we want you to enjoy it safely. Whether you are an experienced shooter or have never handled a firearm before, you must READ THIS ENTIRE MANUAL CAREFULLY before loading or firing your STEYR AUG. This manual gives basic instructions on the proper handling and functioning of your STEYR AUG. Your safety and the safety of others depend on you following the instructions and warnings in this manual and constant use of safe firearms practices. IF YOU ARE UNFAMILIAR WITH FIREARMS, TAKE A COURSE IN THE SAFE HANDLING OF FIREARMS RUN BY A QUALIFIED FIREARMS INSTRUCTOR, YOUR LOCAL GUN CLUB, OR A SIMILAR QUALIFIED ORGANIZATION.

This manual contains several safety warnings and instructions preceded with  **WARNING**,  **CAUTION** or  **NOTICE**. These signal words are designed to draw your attention to important safety information.

 **WARNING** Failure to follow the safety information and safety instructions in this manual could result in death, serious personal injury and/or property damage.

 **WARNING** Always seek a doctor's advice if you are taking medication to be sure that you are able to shoot and handle a firearm safely. Never drink alcoholic beverages or take drugs before or while shooting. Your vision and judgment could be seriously impaired, making your firearm handling unsafe.

⚠ WARNING If your STEYR AUG or any other firearm is carelessly or improperly handled, you could cause a negligent discharge, which could result in death, serious personal injury and/or property damage.

⚠ WARNING Always handle your STEYR AUG as if it is loaded so that you never fire it negligently.

⚠ WARNING Never point your STEYR AUG at anything you do not intend to shoot.

⚠ WARNING Never pull the trigger or put your finger on the trigger or in the trigger guard until you are ready to fire.

⚠ WARNING Never take anyone's word that a firearm is unloaded; always check for yourself, with the firearm pointed in a safe direction and your finger off of the trigger and outside of the trigger guard.

⚠ WARNING Always make sure your STEYR AUG is unloaded and that the bolt is locked open in the rearward position with the magazine taken out before handing it to another person.

NOTICE To store your STEYR AUG, first unload it as described in Chapter 4. Then, after checking to make sure that it is unloaded (chamber empty and magazine removed), place it in a suitable locked container.

NOTICE Always store and transport your STEYR AUG unloaded and locked in a suitable container, out of the reach and sight of children or other unauthorized persons.

NOTICE Never store or transport ammunition in the same container as your STEYR AUG.

TABLE OF CONTENTS

CHAPTER 1:	MAIN FEATURES	5
CHAPTER 2:	LOADING	9
CHAPTER 3:	FIRING	13
CHAPTER 4:	UNLOADING	16
CHAPTER 5:	DISASSEMBLY	18
CHAPTER 6:	PREVENTATIVE MAINTENANCE	28
CHAPTER 7:	REASSEMBLY	34
CHAPTER 8:	CORRECTING MALFUNCTIONS	44
CHAPTER 9:	PRODUCT SERVICE	46
CHAPTER 10:	TECHNICAL SPECIFICATIONS	47
CHAPTER 11:	PARTS LIST	48

CHAPTER 1: MAIN FEATURES



Fig. 2

The STEYR AUG is a gas operated semi-automatic rifle with a locked action. The STEYR AUG is famous for its modular concept, which allows it to be quickly disassembled into six main component groups without tools. These six component groups are as follows:

BARREL GROUP: The chrome-lined barrel is designed for high reliability. The barrel can be quickly changed without the use of tools and has a foldable barrel grip. The gas pressure can be adjusted to allow it to function under adverse conditions, such as cold weather or when the STEYR AUG is dirty. The gas regulator has two positions.

RECEIVER GROUP: The receiver has an integrated Picatinny rail (Mil. Std. 1913) on which to mount various devices, such as a scope or flashlight. The barrel is locked into the front and back of the receiver.

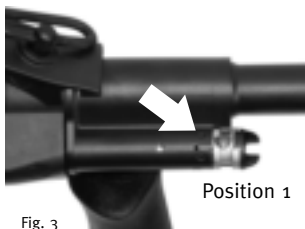


Fig. 3

Position one, which is used under normal conditions, is indicated by a small dot at the gas cylinder.

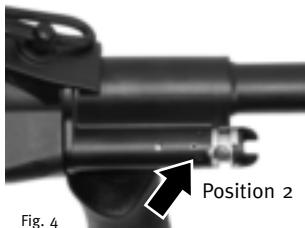


Fig. 4

Position two, which is used under adverse conditions such as cold weather or when the STEYR AUG is dirty, is indicated by a big dot at the gas cylinder.

BOLT GROUP: The STEYR AUG has a fixed locking bolt, with seven locking lugs. An optional bolt is available to convert the STEYR AUG from right hand to left hand ejection.

STOCK GROUP: The STEYR AUG comes with a black synthetic bull-pup stock. It contains the receiver group, trigger mechanism group, magazine and external bolt release lever.



Fig. 5

The safety is located on the top of the pistol grip of the stock, behind the trigger. The safety is a two position push through “cross-bolt” type that locks the trigger. When the safety is protruding all the way from the right side of the STEYR AUG and a white dot is visible, it is in the “safe” position and the trigger is locked in place.



Fig. 6

When the safety is protruding all the way from the left side of the STEYR AUG and a red dot is visible, it is in the “fire” position and the trigger can be moved.

⚠ WARNING Although STEYR AUG's have several internal safeties, designed to prevent an unintentional discharge if the STEYR AUG is dropped or hit, the proper and safe function of your STEYR AUG depends on it being used for its intended purpose and not being altered or modified. Like any other mechanical device, if your STEYR AUG is subjected to unusual and extreme forces a part failure can occur. Therefore, safe firearm handling practices and the instructions and safety warnings in this manual must always be followed to minimize the risk of serious personal injury or death to you or others.

⚠ WARNING In case any of your STEYR AUG's safeties prove to be ineffective for any reason, the possibility of an unintentional discharge exists. If so, your STEYR AUG should be immediately unloaded and not be used again until it has been examined by STEYR authorized personnel.

TRIGGER MECHANISM GROUP: The trigger mechanism is designed for semi-automatic fire only. It is located in the rear of the stock.

MAGAZINE GROUP: The detachable magazine is a staggered box type and is made of transparent synthetic material. Magazines are available in 30 round (standard) and 42 round (optional) capacities.

STANDARD EQUIPMENT

- 1 STEYR AUG
- 2 Magazines
- 1 Cleaning Kit
- 1 Owner's Manual
- 1 Firearms Safety Awareness Form
- 1 Product Service Reply Card

CHAPTER 2: LOADING

⚠ WARNING To minimize the risk of a negligent discharge, only load live ammunition into your STEYR AUG when you are ready to fire it.

⚠ WARNING Only use high quality commercially manufactured ammunition in the same caliber as your STEYR AUG. Reloaded or hand loaded ammunition may not meet applicable SAAMI standards and could be unsafe.

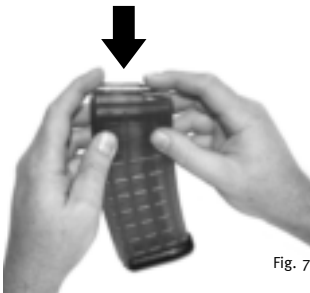


Fig. 7

To load the magazine, press each cartridge down and into the magazine - against the force of the magazine spring.



Fig. 8

To insert the magazine, hold the pistol grip with your right hand and hold the magazine in your left hand. Insert the magazine up and into the magazine well until the magazine release lock catches (indicated by a “click” sound).

If the cocking slide is in the forward position, hold the pistol grip with your right hand and, while keeping your finger off of the trigger and outside of the trigger guard:



Fig. 9

CAUTION Always pull the cocking slide back with your palm facing up as shown in the accompanying photograph to prevent your knuckles from being cut or scraped on any devices, such as optics, that may be mounted on the Picatinny rail of the receiver.



Fig. 10

(1) pull the cocking slide back with your left hand and lock it in the rear position by turning it clockwise and allowing it to rest on the indentation on the receiver; and



Fig. 11

(2) turn the cocking slide counterclockwise with the thumb of your left hand and allow the cocking slide and bolt carrier to move forward from the force of the recoil spring.

OR



Fig. 12

If the cocking slide is in the rearward position, either press the top of the bolt release in to release the bolt carrier and return it to the fully forward position.

OR



Fig. 13

Pull the cocking slide fully back and release it, allowing it to return to the fully forward position.

⚠ WARNING The STEYR AUG is now loaded and will fire if the trigger is pulled with the safety in the “fire” position.

NOTICE Do not hold the cocking slide and “ride” it forward, allow it to go forward by itself from the force of the recoil spring. If the bolt does not close properly either because you “rode” the cocking slide forward instead of allowing it to close by itself from the force of the recoil spring or because of the presence of mud, sand or ice, it can be manually locked into place by using of the cocking slide as a forward assist.

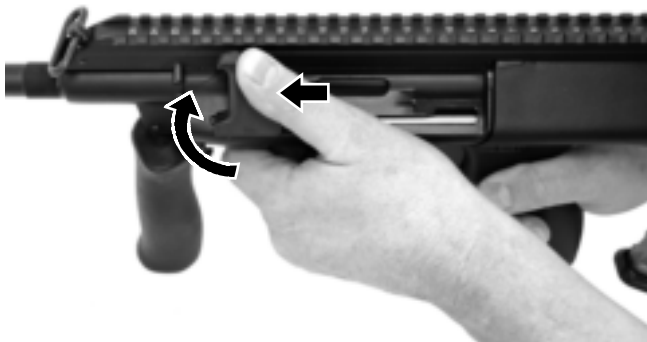


Fig. 14

Using of the cocking slide as a forward assist:

1. Retract the cocking slide approx. 1”.
2. Turn the cocking slide grip inside with your left hand (the cocking slide and the left thrustpiece are connected now).
3. Move cocking slide forward, until the bolt locks (indicated by a “click” sound).

CHAPTER 3: FIRING

⚠ WARNING Before firing your STEYR AUG, pull a clean patch through the barrel, from the chamber end to the muzzle end, using the cleaning string. Repeat this procedure until the patch comes out of the barrel with no gun oil or cleaner-lubricant-preserved on it.

⚠ WARNING Always be sure that the barrel of your STEYR AUG is clear of obstructions before firing it. Remove any obstructions before firing your STEYR AUG so that it will function safely and correctly. Any obstruction in the barrel could prevent the STEYR AUG from firing properly and result in death or serious personal injury and damage to the STEYR AUG.

⚠ WARNING In case of a failure to fire, continue to hold your STEYR AUG pointed towards the target for at least 30 seconds. If a hang fire (slow ignition) has occurred, the cartridge should fire within approximately 30 seconds. If the cartridge has not fired, remove the magazine, eject the cartridge from the chamber and examine its primer. If the firing pin indentation is light, off-center, or non-existent, have your STEYR AUG examined by STEYR authorized personnel. If the firing pin indentation on the primer appears normal (compared to similar previously fired cartridges) the cartridge may be defective. Separate the cartridge from other live ammunition and empty cases, reload your STEYR AUG and resume firing. NOTE: Dispose of misfired cartridges in accordance with the ammunition manufacturer's instructions.

⚠ WARNING Never use your STEYR AUG if it fails to function properly, and never force the bolt closed on a jammed cartridge because it could cause the cartridge to explode.

⚠ WARNING Never pull the trigger if the bolt does not fully close to prevent a possible out of battery firing. If this happens, unload the STEYR AUG as described in Chapter 4 and examine the round that was in the chamber and check the chamber to ensure that there are no obstructions or debris in it.

⚠ WARNING Always wear safety glasses when firing your STEYR AUG to protect your eyes.

⚠ WARNING Always wear ear protection when firing your STEYR AUG to protect your hearing.

⚠ WARNING Always be sure that your backstop is adequate to stop and contain bullets before firing so that you do not hit anything outside of the shooting range area. A bullet could travel through or past your target as far as 4 miles (approximately 6km). If in doubt, do not shoot.

⚠ WARNING Never shoot at a hard surface, such as a rock, or a liquid surface, such as water, because a bullet may ricochet and travel in any direction, striking you or someone else.

⚠ CAUTION Always keep yourself and others clear of the ejection port because spent cartridges are hot and are ejected with enough force to cause injury. Never touch the barrel immediately after firing because it may be hot and could cause burns.

⚠ CAUTION Never place your fingers in the ejection port because they could be injured by the movement of the bolt.

⚠ CAUTION Never fire your STEYR AUG near an animal unless it is trained to accept that noise. An animal's startled reaction could injure it, or cause an accident.

NOTICE Always put a responsible and competent person in charge to maintain safety, discipline and control when a group is firing at a range, to reduce the likelihood of a negligent discharge.

NOTICE Always carry your STEYR AUG unloaded with the bolt locked open in the rearward position while on a range until preparing to fire. Always keep the muzzle pointed towards the backstop when loading, firing and unloading it.



Fig. 15

To fire your STEYR AUG when a cartridge is loaded in the chamber, move the safety all the way left into the “fire” position and pull the trigger. To fire another shot, release the trigger and then pull it again. When the last round has been fired, the bolt carrier will remain locked open in the rearward position.

If you pull a cleaning patch that is heavily oiled with a gun cleaning solvent or a cleaner-lubricant-preservative through the barrel, from the chamber end to the muzzle end, immediately after you finish firing your STEYR AUG, it will make the cleaning process described in Chapter 6 easier.

⚠ WARNING If you oil the barrel of your STEYR AUG immediately after firing it as described above to make the cleaning process easier, you MUST also clean it as described in Chapter 6 before firing it again to remove the oil so that it does not obstruct the barrel leading to possible serious personal injury or death.

CHAPTER 4: UNLOADING

WARNING It is possible that a cartridge may be in the chamber when a loaded magazine is being removed from, or inserted into, your STEYR AUG. A cartridge in the chamber will discharge when the trigger is pulled when the safety is in the “fire” position, whether or not a magazine is in your STEYR AUG. Therefore, never leave your STEYR AUG unattended, even when the magazine is removed. You must always verify that the chamber is empty before field stripping your STEYR AUG for cleaning or any other reason.

To unload your STEYR AUG, follow the instructions below:

WARNING To ensure that your STEYR AUG is unloaded, you MUST follow these steps in this order to ensure that there is no cartridge in the chamber when you have finished unloading.



Fig. 16

1. Hold the pistol grip of your STEYR AUG with your right hand with your finger off of the trigger and outside of the trigger guard and, while holding the magazine with your left hand, press the back of the magazine release up with your left thumb;
2. Pull the magazine down and out of the magazine well with your left hand;



Fig. 9



Fig. 10



Fig. 17



Fig. 11

CAUTION Always pull the cocking slide back with your palm facing up as shown in the accompanying photograph to prevent your knuckles from being cut or scraped on any devices, such as optics, that may be mounted on the Picatinny rail of the receiver.

3. With your left hand, with your palm facing up, pull the cocking slide back to eject any cartridge that may be in the chamber and lock it in the rear position by turning it clockwise and allowing it to rest on the indentation on the receiver;
4. Visually and manually check to make sure that no cartridge remains in the chamber;
5. Turn the cocking slide counter-clockwise with the thumb of your left hand and allow the cocking slide and bolt carrier to move forward from the force of the recoil spring.

CHAPTER 5: DISASSEMBLY

⚠ WARNING It is possible that a cartridge may be in the chamber when a loaded magazine is being removed from, or inserted into, your STEYR AUG. A cartridge in the chamber will discharge when the trigger is pulled when the safety is in the “fire” position, whether or not a magazine is in your STEYR AUG. Therefore, never leave your STEYR AUG unattended, even when the magazine is removed. You must always verify that the chamber is empty before field stripping your STEYR AUG for cleaning or any other reason.

⚠ WARNING Never alter or modify your STEYR AUG because this could cause it to malfunction and create a dangerous condition.

⚠ WARNING Always wear safety glasses when disassembling your STEYR AUG to protect your eyes from springs.

To disassemble (field strip) your STEYR AUG into its major component groups for cleaning, follow the instructions below:

⚠ WARNING To ensure that your STEYR AUG is unloaded, you **MUST** follow these steps in this order when disassembling it to ensure that there is no cartridge in the chamber.



Fig. 16

1. Hold the pistol grip of your STEYR AUG with your right hand with your finger off of the trigger and outside of the trigger guard and, while holding the magazine with your left hand, press the back of the magazine release up with your left thumb;
2. Pull the magazine down and out of the magazine well with your left hand;



Fig. 9

CAUTION Always pull the cocking slide back with your palm facing up as shown in the accompanying photograph to prevent your knuckles from being cut or scraped on any devices, such as optics, that may be mounted on the Picatinny rail of the receiver.



Fig. 10

3. With your left hand, with your palm facing up, pull the cocking slide back to eject any cartridge that may be in the chamber and lock it in the rear position by turning it clockwise and allowing it to rest on the indentation on the receiver;

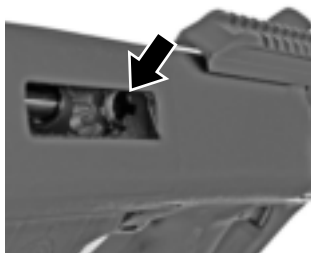


Fig. 17

4. Visually and manually check to make sure that no cartridge remains in the chamber;



Fig. 18

5. Hold the barrel grip with your left hand and use the thumb of your left hand to push the button of the barrel lock pin down, while turning the barrel grip clockwise and pushing the barrel forward and out of the receiver;



Fig. 11

6. Move the cocking slide forward by turning it counterclockwise with the thumb of your left hand;



Fig. 19

7. Hold the top of the stock with your left hand push the receiver lock from left to right with the thumb of your right hand;



Fig. 20

8. Pull the receiver and bolt carrier forward and out of the stock;



Fig. 21

9. Hold the receiver in your left hand and pull the bolt carrier forward and out of it with your right hand;



Fig. 22

10. Hold the stock vertically with the butt plate up and press the indentation on the butt plate with the thumb of your right hand, while pressing the retaining bolt on the rear of the stock in with the thumb of your left hand;



Fig. 23

11. Hold the stock with your left hand and pull the butt plate off of the stock with your right hand;

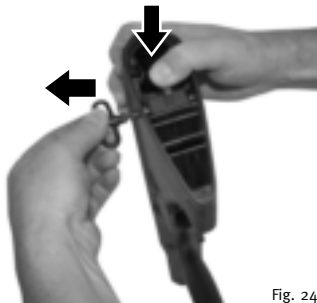


Fig. 24

12. Hold the stock vertically with the butt plate up and press the retaining bolt lock in with the thumb of your right hand and pull out the retaining bolt of the stock with your left hand;



Fig. 25

13. Hold the stock with your left hand and pull the trigger mechanism out of the stock with your right hand.

To field strip the gas operating system, follow the instructions below:



Fig. 26

1. Hold the barrel with your left hand;
2. Press the pressure piece of the gas regulator in, while turning it clockwise until its slot is in the same position as the nose of the gas cylinder;



Fig. 27

3. Take the gas regulator out;



Fig. 28

4. Use the right thrustpiece of the bolt carrier to press the gas piston out;



Fig. 29

5. Pull the gas piston and gas piston spring out.

To field strip the bolt carrier, follow the instructions below:

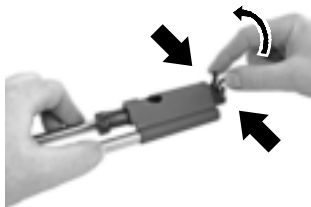


Fig. 30

1. Press the two wings of the anti-rotation device together and turn it upwards;

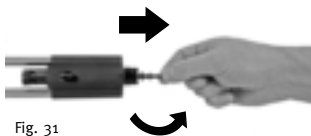


Fig. 31

2. Turn the firing pin counterclockwise with the thumb and index finger of your right hand until it pops out by its own force;
3. Pull the firing pin out of the bolt;



Fig. 32

4. Press the bolt slightly back with the thumb of your left hand while pressing the control bolt down with your right index finger;
5. Release the pressure on the bolt from your left thumb;



Fig. 33

6. Hold the bolt carrier with your left hand and pull the bolt and locking piece with spring and sleeve forward and out of the bolt carrier with your right hand;



Fig. 34

7. Hold the bolt carrier with your left hand and pull the cocking piece down and out of the bolt carrier with your right hand.

To field strip the magazine, follow the instructions below:

NOTICE The magazine should not be disassembled unless necessary, and does not need to be disassembled for the normal cleaning of the STEYR AUG.



Fig. 35

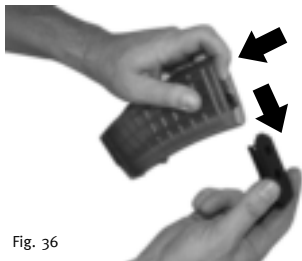


Fig. 36



Fig. 37

1. Hold the magazine in your left hand with the base plate on top;
2. Insert the tip of a cartridge or the cleaning patch holder into one of the holes in the base plate of the magazine and press the retainer in, while beginning to pull the base plate forward and off of the magazine body with your right hand;
3. While continuing to pull the base plate forward and off of the magazine body, keep the retainer pressed in the magazine body with the index finger of your left hand;
4. Support the retainer with your right hand and allow the force of the magazine spring to push it out of the magazine body;
5. Pull the retainer, magazine spring and follower out of the magazine body with your right hand.

⚠ WARNING Never further disassemble your STEYR AUG. Any further disassembly must be performed by STEYR authorized personnel.

To change the stock of your STEYR AUG from right hand to left hand ejection, follow the instructions below:



Fig. 38



Fig. 39

1. Use your right hand to lift the front of the outside ejection lid slightly with a screwdriver while pushing the back of it forward with your left thumb;
2. Pull the ejection lid off of the stock;
3. The inside ejection lid will drop down into the stock and can be removed through the magazine well or ejection port;
4. From within the stock, insert the inside ejection lid into the ejection port on the right side of the stock;
5. Slide the outside ejection lid onto the inside ejection lid on the right side of the stock until it engages.

CHAPTER 6: PREVENTATIVE MAINTENANCE

⚠ WARNING Always be sure that the barrel of your STEYR AUG is clear of obstructions before firing it. Remove any obstructions before firing your STEYR AUG so that it will function safely and correctly. Any obstruction in the barrel could prevent the STEYR AUG from firing properly and result in death or serious personal injury and damage to the STEYR AUG.

⚠ WARNING It is possible that a cartridge may be in the chamber when a loaded magazine is being removed from, or inserted into, your STEYR AUG. A cartridge in the chamber will discharge when the trigger is pulled when the safety is in the “fire” position, whether or not a magazine is in your STEYR AUG. Therefore, never leave your STEYR AUG unattended, even when the magazine is removed. You must always verify that the chamber is empty before field stripping your STEYR AUG for cleaning or any other reason.

⚠ WARNING Always wear safety glasses when cleaning your STEYR AUG to protect your eyes from cleaning materials.

⚠ WARNING Always make sure that no ammunition is located in the area where you clean your STEYR AUG. Cleaning solvents can affect the primer and powder in ammunition and cause it to malfunction. This could result in a bullet being pushed into the barrel of your STEYR AUG and getting stuck. Firing another round with a bullet stuck in the barrel could cause the barrel to burst and result in death or serious personal injury, in addition to damaging your STEYR AUG.

Main parts for cleaning.



Fig. 2

Clean and lubricate the main parts of your STEYR AUG after you fire it or whenever it becomes exposed to sand, dust or water (including humidity or condensation). Proper maintenance is important to ensure that your STEYR AUG functions correctly. To clean your STEYR AUG, first disassemble it according to the instructions in Chapter 5. Always use cleaning patches and brushes of the proper size for the caliber of your STEYR AUG.

After you have disassembled your STEYR AUG, clean it as follows using the included cleaning kit (stored in the rear of the stock):

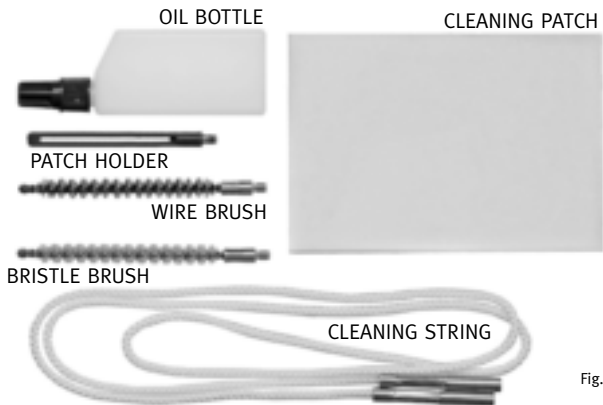


Fig. 40

Clean the inside of the barrel as follows:

1. Screw the patch holder onto the threaded end of the cleaning string. Insert a cleaning patch into the patch holder. Wet the cleaning patch with a gun cleaning solvent or a cleaner-lubricant-preservative and pull it through the barrel, from the chamber end to the muzzle end, several times until the barrel is clean. If necessary, replace the dirty cleaning patch with a new one during this process;
2. Unscrew the patch holder from the cleaning string and screw the bristle brush on instead. Slightly wet the bristle brush and pull it through the barrel once, from the chamber end to the muzzle end. If the barrel is extremely dirty, such as when it has been fired many times without having been cleaned, use the wire brush instead of the bristle brush;
3. Unscrew the bristle brush from the cleaning string and screw the patch holder back on. Wet another cleaning patch with a gun cleaning solvent or a cleaner-lubricant-preservative and pull it through the barrel once, from the chamber end to the muzzle end, and examine it. If it is not clean, repeat steps two and three until the patch remains clean after being run through the barrel;

4. Pull a clean patch through the barrel once, from the chamber end to the muzzle end;
5. Lightly wet a clean patch with gun oil or a cleaner-lubricant-preservative and pull it through the barrel once, from the chamber end to the muzzle end;
6. Before firing your STEYR AUG, pull a clean patch through the barrel once, from the chamber end to the muzzle end. Repeat this procedure until the patch comes out of the barrel with no gun oil or cleaner-lubricant-preservative on it.

NOTICE If you will be storing your STEYR AUG, do not perform step 6 until you are ready to fire it.

Clean the gas cylinder, gas piston, gas piston spring and gas regulator as follows:

1. Wet a cleaning patch or a soft rag with a gun cleaning solvent or a cleaner-lubricant-preservative and wipe the gas cylinder, gas piston, gas piston spring and gas regulator to remove any dirt or residue;
2. Wipe the areas dry with a clean patch and examine it. If it is not clean, repeat steps one and two until the patch remains clean;
3. Clean the holes in the gas regulator using a piece of soft wood.

NOTICE Do not use a metal item to clean the holes in the gas plug head because it could damage them.

Clean the plastic parts and the trigger mechanism of the STEYR AUG using a cleaning patch or soft rag. If necessary, water may be used to clean the plastic parts of the STEYR AUG.

Clean the metal parts of the STEYR AUG with a cleaning patch or soft rag.

NOTICE Do not use water to clean the metal parts of the STEYR AUG.

Certain metal parts of the STEYR AUG should be oiled using a gun oil or cleaner-lubricant-preservative as follows:

Fig. 41



1. Apply 2 drops of oil onto the rings of the gas piston;

Fig. 42



2. Apply 2 drops of oil onto the blank area of the gas regulator;

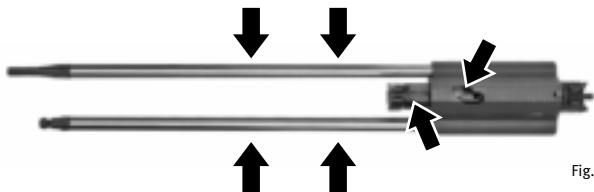


Fig. 43

3. Apply 2 drops of oil onto both of the bolt guide rods;
4. Apply 2 drops of oil between the control bolt and control slot;
5. Apply 1 drop of oil onto the locking piece;
6. Apply a very thin coat of oil to the metal surfaces on the outside of the STEYR AUG;

CAUTION Do not over lubricate your STEYR AUG because too much lubricant can collect unburned powder and other debris and prevent your STEYR AUG from functioning properly.

NOTICE After you have completed cleaning your STEYR AUG, reassemble it as described in Chapter 7.

CHAPTER 7: REASSEMBLY

⚠ WARNING Always wear safety glasses when reassembling your STEYR AUG to protect your eyes from springs.

To reassemble your STEYR AUG after cleaning it, follow the instructions below.

To assemble the magazine, follow the instructions below:



Fig. 44

1. Hold the magazine body with your left hand, with the bottom upwards;
2. Insert the follower, magazine spring and retainer into the magazine body;

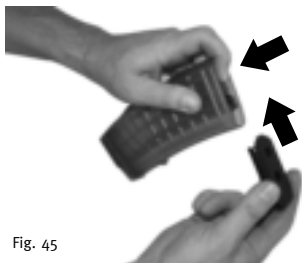


Fig. 45

3. Press the retainer into the magazine body and while holding it in with your left index finger, slide the base plate onto the magazine body from front to back with your right hand.

To assemble the bolt carrier, follow the instructions below:



Fig. 46

1. Hold the bolt carrier in your left hand;
2. Insert the cocking piece into the rear of the bolt carrier with your right hand;



Fig. 47

3. Hold the bolt with your left hand and insert the locking piece with spring and sleeve onto the bolt with your right hand;



Fig. 48

4. Hold the bolt carrier with your left hand and slide the bolt into the bolt carrier, with the sleeve and spring first and the extractor on the right side, with your right hand;

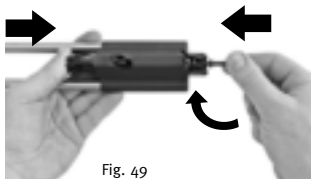


Fig. 49

5. Hold the bolt carrier with your left hand and press the bolt into the bolt carrier with your left thumb, while inserting the firing pin into the rear of the bolt carrier with your right hand until you hear a “click” and the firing pin jumps automatically into its locked position;

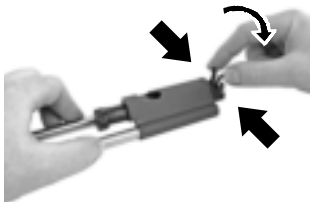


Fig. 50

6. Press the two wings of the anti-twist device together and turn it downwards.

To assemble the gas operating system, follow the instructions below:

1. Hold the barrel with your left hand;



Fig. 51

2. Insert the gas piston into the gas piston spring;



Fig. 52

3. Insert the gas piston and gas piston spring into the opening on the barrel and press them fully into it so that they are no longer visible from the side;



Fig. 53

4. Insert the gas regulator into the opening on the barrel behind the gas piston and spring, with the slot lined up with the nose of the gas cylinder;

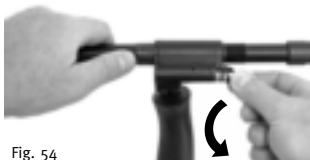


Fig. 54

5. Push the gas regulator in while turning it counterclockwise into position one.

NOTICE The gas regulator has two positions. Position one, which is used under normal conditions, is indicated by a small dot at the gas cylinder. Position two, which is used under adverse conditions, such as cold weather or when the STEYR AUG is dirty, is indicated by a big dot at the gas cylinder.

To assemble the major component groups of your STEYR AUG, follow the instructions below:

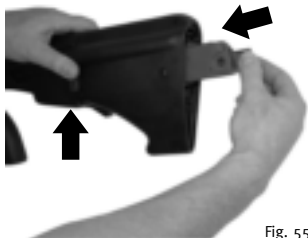


Fig. 55

1. Hold the stock with your left hand and press the top of the bolt release lever against the stock with your left thumb;
2. Insert the trigger mechanism (the hammer must be cocked) into the rear of the stock with your right hand;

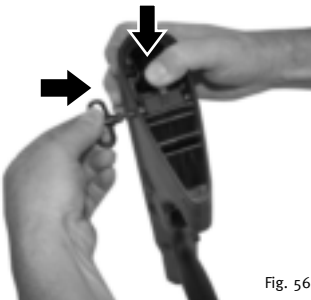


Fig. 56

3. Press the retaining bolt lock in with your right thumb;
4. Press the retaining bolt completely into the stock with your left hand;



Fig. 57

5. Insert the butt plate into the stock with the little nose of the stock inserted into the slot of the butt plate;

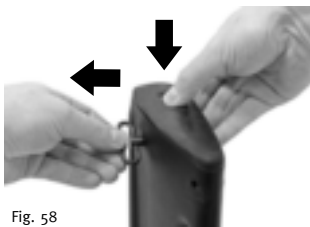


Fig. 58

6. Press down on the butt plate with your right thumb, while pulling the retaining bolt partially out of the stock with your left hand until you hear a “click”;



Fig. 59

7. Hold the receiver with your left hand and slide the bolt carrier into it with your right hand;



Fig. 60

8. Hold the stock with your right hand and slide the receiver and bolt carrier into the stock with your left hand;



Fig. 61

9. While pressing the receiver and bolt carrier into the stock with your left hand, press the housing lock from right to left with the thumb of your right hand, until you hear a “click”;



Fig. 9



Fig. 62



Fig. 63



Fig. 11

CAUTION Always pull the cocking slide back with your palm facing up as shown in the accompanying photograph to prevent your knuckles from being cut or scraped on any devices, such as optics, that may be mounted on the Picatinny rail of the receiver.

10. Hold the pistol grip with your right hand, and pull the cocking slide to the rear, with your left hand, with your palm facing up and lock it in the rear position by turning it clockwise and allowing it to rest on the indentation on the receiver;

11. Hold the barrel in your left hand and slide it into the receiver, with the forward pistol grip angled to a position of about a quarter to seven o'clock;

12. While pressing the barrel into the receiver with your left hand, turn the barrel counterclockwise until it is fixed;

13. Move the cocking slide forward by turning it counterclockwise with the thumb of your left hand;



Fig. 8

14. Insert the magazine up and into the magazine well with your left hand until the magazine release lock catches (indicated by a “click” sound).

After assembling your STEYR AUG, check to ensure that it is functioning correctly as follows:



Fig. 16

1. Hold the pistol grip of your STEYR AUG with your right hand with your finger off of the trigger and outside of the trigger guard and, while holding the magazine with your left hand, press the back of the magazine release up with your left thumb;



Fig. 9

2. Pull the magazine down and out of the magazine well with your left hand;

CAUTION Always pull the cocking slide back with your palm facing up as shown in the accompanying photograph to prevent your knuckles from being cut or scraped on any devices, such as optics, that may be mounted on the Picatinny rail of the receiver.



Fig. 10



Fig. 11



Fig. 64

3. With your left hand, with your palm facing up pull the cocking slide back and lock it in the rear position by turning it clockwise and allowing it to rest on the indentation on the receiver;

4. Turn the cocking slide counter-clockwise with the thumb of your left hand and allow the cocking slide and bolt carrier to move forward from the force of the recoil spring;

5. Check to see of the bolt has locked completely;



Fig. 6

6. Push the safety all the way left into the “fire” position;



Fig. 15

7. Pull the trigger (you should hear a “click” from the hammer hitting the firing pin);



Fig. 5

8. Push the safety all the way right into the “safe” position;



Fig. 65

9. Try to pull the trigger (it should not move).

CHAPTER 8: CORRECTING MALFUNCTIONS

Trouble feeding and loading ammunition.

Possible Cause	Solution
Magazine is inserted wrong.	Remove the magazine and reinsert it. Listen for an audible “click” when the magazine catch locks in place.
Magazine is damaged.	Examine the magazine and replace it with a new one if it is damaged.
Magazine is dirty.	Examine the magazine and clean it if it is dirty.
Insufficient gas pressure.	Move the gas regulator to position two (indicated by a big dot at the gas cylinder).
Chamber is dirty.	Examine the chamber and clean it if it is dirty.
Defective or dirty cartridge.	Dispose of the cartridge and use a new one. Examine the chamber and clean it if it is dirty.

Bolt does not lock completely.

Possible Cause	Solution
Chamber or bolt is dirty.	Examine the chamber and bolt and clean them if they are dirty.
Defective cartridge.	Dispose of the cartridge and use a new one.
Extractor is jammed.	Clean and oil the chamber and extractor.

Misfire.

Possible Cause	Solution
Defective cartridge.	Dispose of the cartridge and use a new one.
Dirty bolt.	Clean and oil the bolt.
Broken firing pin.	Contact STEYR ARMS, Inc. to have your STEYR AUG serviced.
Broken trigger mechanism.	Contact STEYR ARMS, Inc. to have your STEYR AUG serviced.

Trouble extracting.

Possible Cause	Solution
Extractor is jammed.	Clean and oil the extractor.
Broken extractor.	Contact STEYR ARMS, Inc. to have your STEYR AUG serviced.
Weak extractor spring.	Contact STEYR ARMS, Inc. to have your STEYR AUG serviced.

Trouble ejecting (cartridge is extracted from the chamber, but not ejected).

Possible Cause	Solution
Broken ejector.	Contact STEYR ARMS, Inc. to have your STEYR AUG serviced.

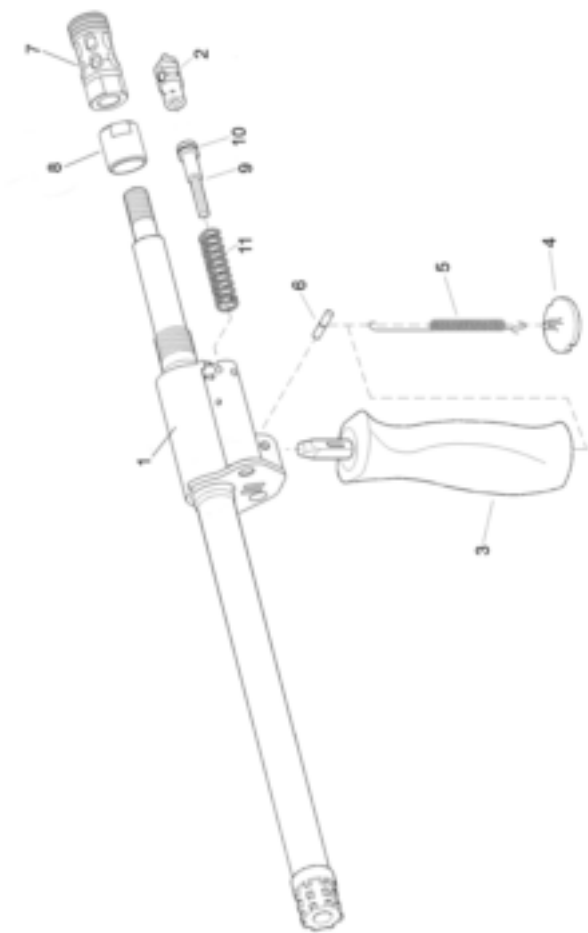
CHAPTER 9: PRODUCT SERVICE

Because of the complexity of the terms of the Magnuson-Moss Warranty Act, STEYR ARMS, Inc. has chosen not to offer an express warranty. STEYR ARMS, Inc. still remains committed to its customers and stands behind the quality of its products. If your STEYR AUG requires service, write to STEYR ARMS, Inc. at P.O. Box 840, Trussville, AL 35173 or call (205) 467-6544 for instructions on how to return your STEYR AUG. Do not return your STEYR AUG for service without prior authorization.

The implied warranties of merchantability and fitness for a particular purpose are expressly disclaimed. STEYR ARMS, Inc. will not be responsible for any damage or injury caused by disassembly of the STEYR AUG beyond the field stripping described in Chapter 5 of this Owner's Manual, alterations or modifications to the STEYR AUG, or the use of reloaded or hand loaded ammunition, or ammunition of a different caliber than your STEYR AUG.

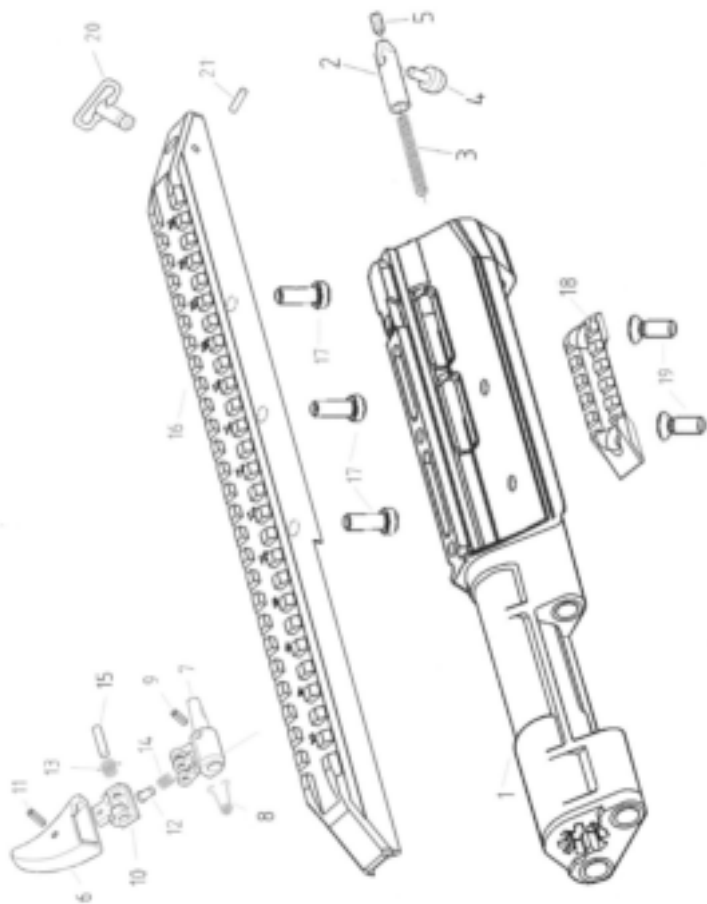
CHAPTER 10: TECHNICAL SPECIFICATIONS

Caliber	5.56x45mm (.223 Rem.)
Length.....	28.15" / 715 mm
Height (without magazine)	9.37" / 238 mm
Height (with 30 round magazine).....	11.06" / 281 mm
Weight (without magazine).....	7.8 lbs. / 3.55 kg.
Barrel length.....	16 inches / 407 mm
Rifling.....	6 grooves, 1 turn right in 9" / 228.6 mm
Magazine capacity	30 rounds (42 rounds optional)
Weight of empty magazine (30 round)	4.27 oz. / 0.12 kgs



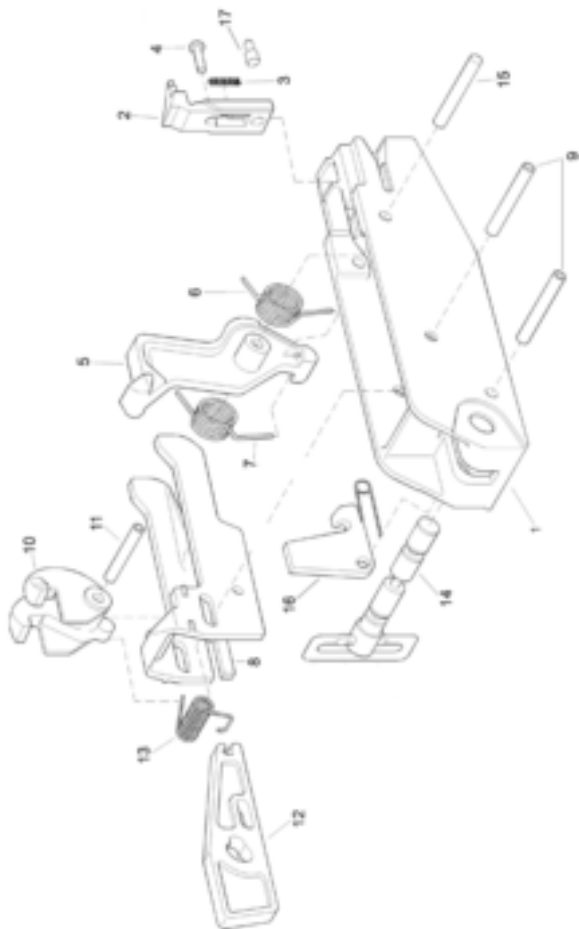
CHAPTER 11: PARTS LIST

ITEM	DESCRIPTION	QUANTITY
BARREL GROUP		
1.	BARREL, SUB-ASSY.	1 pcs.
2.	GAS REGULATOR, SUB-ASSY	1 pcs.
3.	BARREL GRIP 9011, SUB-ASSY.	1 pcs.
4.	LID, BARREL GRIP 9011	1 pcs.
5.	SPRING, BARREL GRIP	1 pcs.
6.	PIN	1 pcs.
7.	MUZZLE ATTACHMENT	1 pcs.
8.	NUT	1 pcs.
9.	GAS PISTON	1 pcs.
10.	RING, GAS PISTON	3 pcs.
11.	SPRING, GAS PISTON	1 pcs.



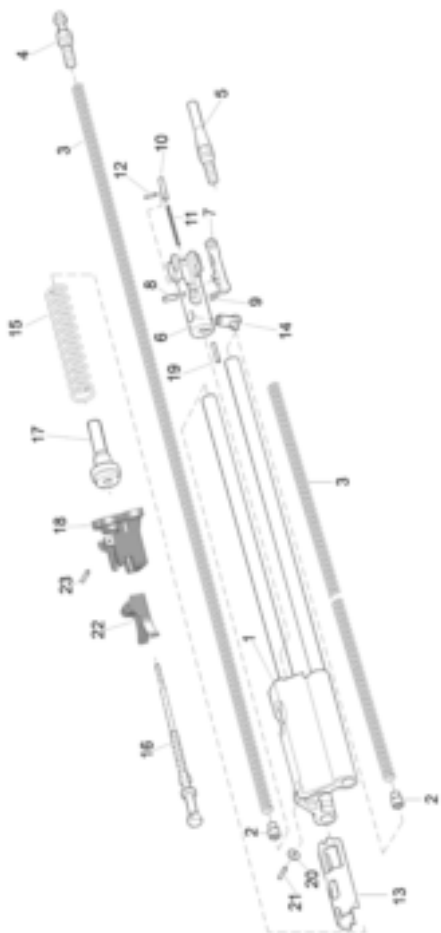
CHAPTER 11: PARTS LIST

ITEM	DESCRIPTION	QUANTITY
RECEIVER GROUP		
1	RECEIVER A ₃ SA, SUB-ASSY.	1 pcs.
2	PIN, BARREL LOCK	1 pcs.
3	SPRING, PIN BARREL LOCK	1 pcs.
4	BUTTON, SUB-ASSY., BLACK	1 pcs.
5	GRUB SCREW	1 pcs.
6	GRIP, SLIDE COCKING, BLACK	1 pcs.
7	BODY, SLIDE COCKING	1 pcs.
8	SPRING, SLIDE COCKING	1 pcs.
9	PIN	1 pcs.
10	LINK PIECE	1 pcs.
11	PIN	1 pcs.
12	CONNECTING BOLT	1 pcs.
13	SPRING, SLIDE COCKING	1 pcs.
14	SPRING, CONNECTING BOLT	1 pcs.
15	PIN	1 pcs.
16	PICATINNY RAIL AUG A ₃	1 pcs.
17	SCREW	3 pcs.
18	PICATINNY RAIL SHORT	1 pcs.
19	SCREW	2 pcs.
20	SLING SWIVEL FRONT, SUB-ASSY.	1 pcs.
21	PIN	1 pcs.



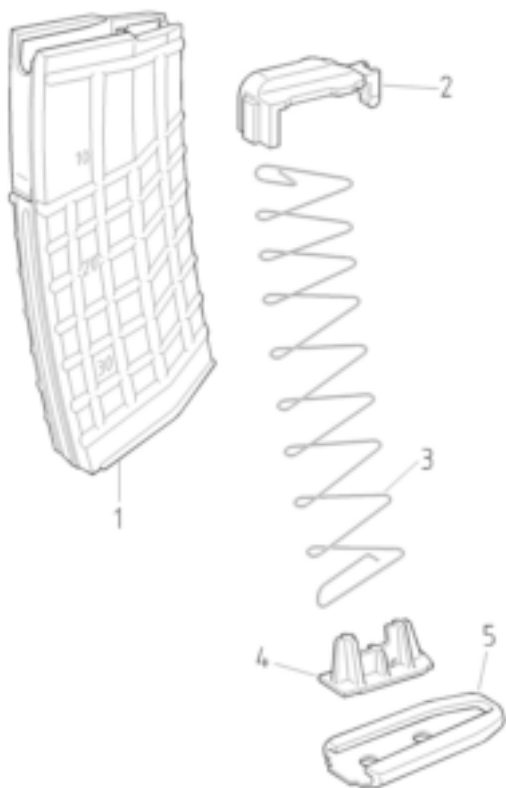
CHAPTER 11: PARTS LIST

ITEM	DESCRIPTION	QUANTITY
TRIGGER GROUP		
1	BODY, TRIGGER MECHANISM A ₃ SA	1 pcs.
2	CATCH HOLDING OPEN A ₃	1 pcs.
3	SPRING, CATCH HOLDING OPEN	1 pcs.
4	PIN, CATCH HOLDING OPEN	1 pcs.
5	HAMMER SA	1 pcs.
6	SPRING SA, HAMMER RIGHT	1 pcs.
7	SPRING SA, HAMMER LEFT	1 pcs.
8	SLIDE, TRIGGER MECHANISM	1 pcs.
9	PIN, TRIGGER MECHANISM	2 pcs.
10	LEVER SA, DISCONNECT	1 pcs.
11	PIN LEVER DISCONNECT	1 pcs.
12	LOCK, BOLT RETAINING	1 pcs.
13	SPRING, TRIGGER	1 pcs.
14	BOLT RETAINING, SUB-ASSY.	1 pcs.
15	PIN, HAMMER	1 pcs.
16	DROP-SAFETY, SUB-ASSY.	1 pcs.
17	COUPLING PIN A ₃	1 pcs.



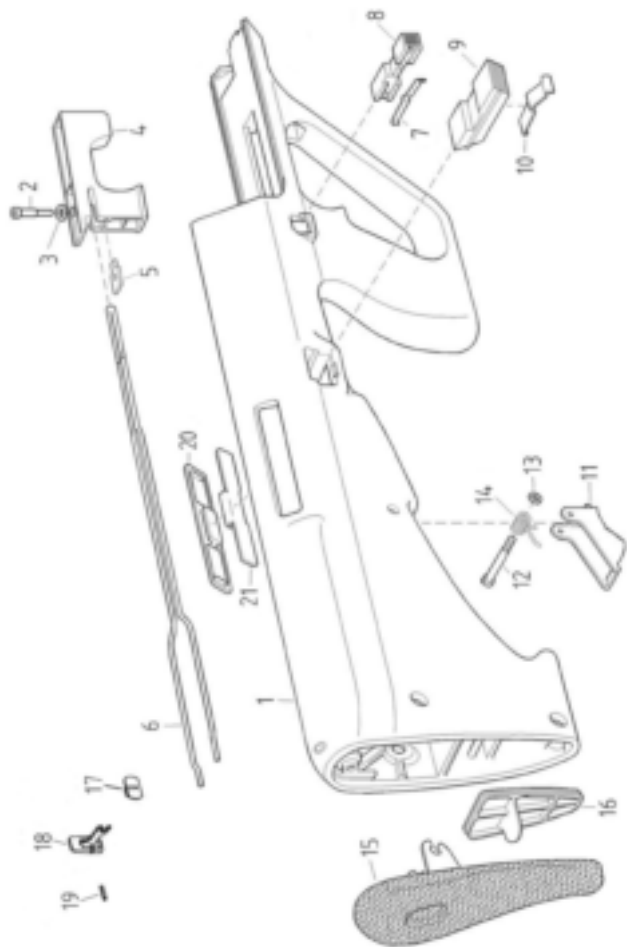
CHAPTER 11: PARTS LIST

ITEM	DESCRIPTION	QUANTITY
BOLT GROUP		
1	BOLT CARRIER SA, SUB-ASSY.	1 pcs.
2	PLUNGER, SPRING LOCK LONG	2 pcs.
3	SPRING LOCK, LONG	2 pcs.
4	THRUSTPIECE, LEFT	1 pcs.
5	THRUSTPIECE, RIGHT	1 pcs.
6	BOLT, RIGHT	1 pcs.
7	EXTRACTOR	1 pcs.
8	PIN, EXTRACTOR	1 pcs.
9	SPRING, EXTRACTOR, SUB-ASSY	1 pcs.
10	EJECTOR	1 pcs.
11	SPRING, EJECTOR	1 pcs.
12	PIN, RETAINING EJECTOR	1 pcs.
13	PIECE LOCKING	1 pcs.
14	BOLT, CONTROL	1 pcs.
15	SPRING, SLIDE COCKING	1 pcs.
16	PIN, FIRING, SUB-ASSY.	1 pcs.
17	SLEEVE, SPRING PIECE LOCKING	1 pcs.
18	COCKING-PIECE	1 pcs.
19	PIN, RETAINING, PIN CONTR.	1 pcs.
20	ROLLER, SLIDE	1 pcs.
21	PIN, ROLLER SLIDE	1 pcs.
22	ANTI-TURN DEVICE	1 pcs.
23	PIN	1 pcs.



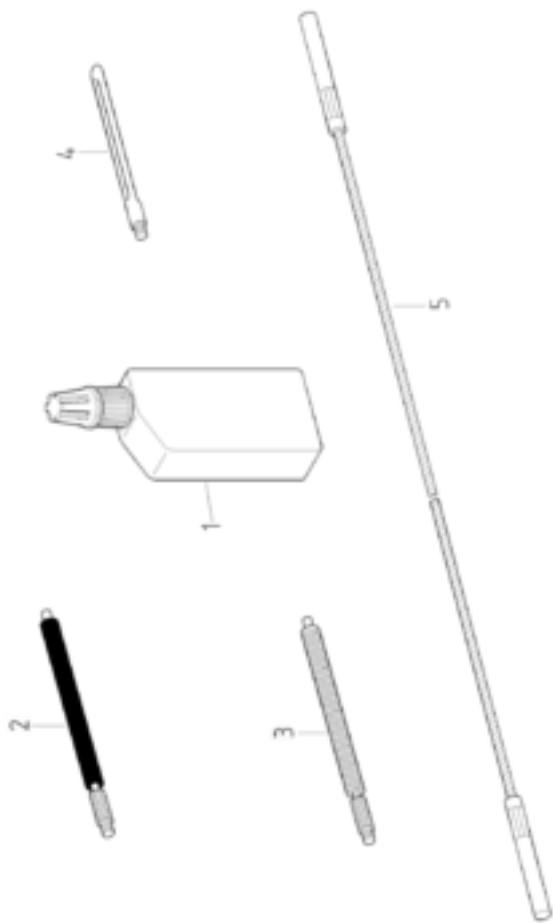
CHAPTER 11: PARTS LIST

ITEM	DESCRIPTION	QUANTITY
MAGAZINE GROUP		
1	BODY, MAGAZINE	1 pcs.
2	FOLLOWER, BLACK	1 pcs.
3	SPRING	1 pcs.
4	RETAINER, BLACK	1 pcs.
5	BASE PLATE, BLACK	1 pcs.



CHAPTER 11: PARTS LIST

ITEM	DESCRIPTION	QUANTITY
STOCK GROUP		
1	STOCK USA SA, SUB-ASSY., BLACK	1 pcs.
2	SCREW, TRIGGER	1 pcs.
3	WASHER, TRIGGER	1 pcs.
4	TRIGGER, BLACK	1 pcs.
5	NUT, TRIGGER	1 pcs.
6	SEAR	1 pcs.
7	SPRING, CATCH SAFETY	1 pcs.
8	CATCH SAFETY, BLACK	1 pcs.
9	RECEIVER LOCK SA	1 pcs.
10	SPRING, RECEIVER LOCK	1 pcs.
11	CATCH, MAGAZINE, BLACK	1 pcs.
12	BOLT, MAGAZINE CATCH	1 pcs.
13	NUT, MAGAZINE CATCH	1 pcs.
14	SPRING, MAGAZINE CATCH	1 pcs.
15	PLATE BUTT, SUB-ASSY., BLACK	1 pcs.
16	LID, CLEANING KIT COMP.	1 pcs.
17	INSERT	1 pcs.
18	LEVER, RELEASE BOLT	1 pcs.
19	PIN	1 pcs.
20	LID EJECTION USA, OUTSIDE, BLACK	1 pcs.
21	LID EJECTION, INSIDE	1 pcs.



CHAPTER 11: PARTS LIST

ITEM	DESCRIPTION	QUANTITY
	CLEANING KIT	
1	BOTTLE, OIL	1 pcs.
2	BRUSH, WIRE SUB-ASSY.	1 pcs.
3	BRUSH, BRISTLE SUB-ASSY.	1 pcs.
4	HOLDER, PATCH SUB-ASSY.	1 pcs.
5	STRING, CLEANING	1 pcs.

Notes

Estimado cliente,

Con la compra del STEYR AUG/A3 SA USA acaba de adquirir un rifle que cumple los máximos estándares de calidad Este rifle ha sido concebido para requisitos de vanguardia del ejercicio de la caza actual. El rendimiento insuperable, la calidad fenomenal, la comodidad óptima de manejo para el usuario, y la larga vida útil han sido los parámetros para los se ha diseñado el STEYR AUG.

Copyright STEYR MANNLICHER GmbH
Todos los derechos reservados.

STEYR ARMS, Inc.
P.O. BOX 840
TRUSSVILLE, AL 35173
Tel. (205) 467-6544
Fax. (205) 467-3015
www.steyrarms.com



STEYR MANNLICHER GmbH
Ramingtal 46, 4442 Kleinraming, Austria
www.steyr-mannlicher.com

Manual del propietario

Lea este manual y las advertencias contenidas en él antes de cargar o utilizar el rifle STEYR AUG. Este manual explica la función y el manejo del STEYR AUG y advierte de los posibles peligros, inclusive lesiones personales graves y la muerte, que pueden producirse como consecuencia del uso del STEYR AUG. Este manual debe acompañar siempre al STEYR AUG y debe transportarlo con el STEYR AUG en caso de que sea vendido o prestado a otra persona.

Deseamos que disfrute su ejercicio de tiro con el STEYR AUG, pero con seguridad. Tanto si es un tirador experto como si no ha utilizado nunca un arma de fuego, debe LEER ESTE MANUAL ENTERO DETENIDAMENTE antes de cargar o disparar el STEYR AUG. Este manual ofrece instrucciones básicas sobre el manejo y funcionamiento adecuados del STEYR AUG. Su seguridad y la seguridad de los demás dependen de que usted siga las instrucciones y advertencias de este manual y del uso constante de prácticas con armas de fuego seguras. SI NO ESTÁ FAMILIARIZADO CON LAS ARMAS DE FUEGO, HAGA UN CURSO EN MANEJO SEGURO DE ARMAS DE FUEGO CONDUCTIVO POR UN INSTRUCTOR ESPECIALIZADO EN ARMAS DE FUEGO, SU CLUB DE ARMAS, O UNA ORGANIZACIÓN ESPECIALIZADA SIMILAR.

Este manual contiene varias advertencias sobre seguridad e instrucciones precedidas por **▲ WARNING**, **▲ CAUTION** o **NOTICE**. **Estas palabras de advertencia están diseñadas para llamar su atención sobre la información de seguridad importante.**

▲ WARNING No seguir los procedimientos de seguridad de la información y las instrucciones contenidas en este manual puede provocar lesiones personales graves y/o daños materiales o la muerte.

▲ WARNING Solicite siempre el asesoramiento de un médico si toma medicación para asegurarse de que puede manejar y disparar un arma de fuego con seguridad. No tome bebidas alcohólicas ni tome medicamentos antes o durante la acción de disparo. Ello puede dañar su visión y juicio seriamente, haciendo que el manejo de su arma de fuego sea inseguro.

⚠ WARNING El manejo imprudente e incorrecto del rifle STEYR AUG o cualquier otra arma de fuego puede provocar una descarga negligente que podría provocar lesiones personales graves y/o daños materiales y la muerte.

⚠ WARNING Maneje siempre el STEYR AUG como si estuviera cargado de modo que imprudentemente.

⚠ WARNING Nunca apunte el STEYR AUG a ningún objetivo al que no tenga intención de disparar.

⚠ WARNING Nunca apriete el gatillo ni ponga el dedo en el guardamonte hasta que esté preparado para disparar.

⚠ WARNING Nunca crea a nadie que le diga que un arma de fuego está descargada; verifique siempre por sí mismo, con el arma de fuego apuntando en una dirección segura y manteniendo el dedo fuera del gatillo y fuera del guardamonte.

⚠ WARNING Asegúrese siempre de que el STEYR AUG está descargado y que el cerrojo está desbloqueado en posición hacia atrás con el cargador extraído antes de entregárselo a otra persona.

NOTICE Para almacenar el STEYR AUG, descárguelo primero tal como se describe en el Capítulo 4. Después, una vez que se haya asegurado de que está descargado (recámara vacía y cargador retirado), colóquelo en un recipiente bloqueado adecuado.

NOTICE Guarde y transporte siempre el STEYR AUG descargado y bloqueado en un contenedor adecuado, fuera del alcance y la vista de los niños u otras personas no autorizadas.

NOTICE No almacene ni transporte nunca municiones en el mismo recipiente que el STEYR AUG.

TABLE OF CONTENTS

CAPÍTULO 1: COMPONENTES PRINCIPALES	5
CAPÍTULO 2: CARGAR	9
CAPÍTULO 3: DISPARAR	13
CAPÍTULO 4: DESCARGAR	16
CAPÍTULO 5: DESMONTAJE	18
CAPÍTULO 6: MANTENIMIENTO PREVENTIVO	28
CAPÍTULO 7: REENSAMBLADO	34
CAPÍTULO 8: CORRECCIÓN DE FALLOS	44
CAPÍTULO 9: SERVICIO DEL PRODUCTO	46
CAPÍTULO 10: ESPECIFICACIONES TÉCNICAS	47
CAPÍTULO 11: LISTA DE PARTES	48

CAPÍTULO 1: COMPONENTES PRINCIPALES



Fig. 2

El rifle STEYR AUG opera como un arma semiautomática de gas con acción bloqueada. El rifle STEYR AUG es famoso por su concepto modular, que permite su desmontaje rápido en seis conjuntos de componentes principales sin herramientas. Estos seis conjuntos de componentes son los siguientes:

CONJUNTO DEL CAÑÓN: El cañón revestido de cromo está diseñado para alta fiabilidad. El cañón puede cambiarse sin el uso de herramientas y tiene una empuñadura plegable. La presión de gas puede regularse para permitir que el arma funcione bajo condiciones adversas, tales como temperaturas bajas o cuando el rifle STEYR AUG esté sucio. El regulador de gas tiene dos posiciones.

CONJUNTO DEL RECEPTOR: El receptor tiene un carril Picatinny integrado (Mil. Std. 1913) en el cual se montan varios dispositivos, tales como una mira o luz intermitente. El cañón está bloqueado en la parte delantera y trasera del receptor.

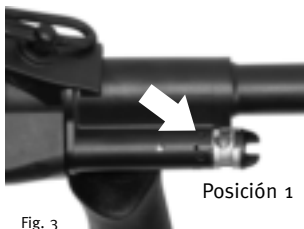


Fig. 3

La posición uno, que se utiliza en condiciones normales, está indicada por un pequeño punto en el cilindro de gas.

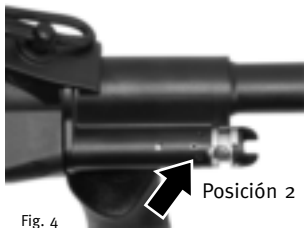


Fig. 4

La posición dos, que se utiliza en condiciones adversas tales como temperaturas bajas o cuando el rifle STEYR AUG está sucio, está indicada por un punto grande en el cilindro de gas.

CONJUNTO DEL CERROJO: El rifle STEYR AUG tiene un cerrojo de bloqueo fijo, con siete tetones de cierre. Hay un cerrojo opcional disponible para convertir el rifle STEYR AUG de eyección derecha a eyección izquierda.

CONJUNTO DE LA CULATA: El rifle STEYR AUG viene con una culata bullpup sintética negra. Contiene el conjunto del receptor, el conjunto del mecanismo de disparador, cargador y leva desenganche del cerrojo externa.



Fig. 5

El seguro está situado en la parte superior de la empuñadura de la culata, detrás del gatillo. El seguro es un pulsador de dos posiciones tipo “cross-bolt” (perno pasante) que bloquea el gatillo. Cuando el seguro sobresale enteramente del lado derecho del rifle STEYR AUG y se ve un punto blanco, está en posición de “seguro” y el gatillo está bloqueado.



Fig. 6

Cuando el seguro sobresale enteramente del lado izquierdo del rifle STEYR AUG y se ve un punto rojo, está en la posición de “disparo” y se puede mover el gatillo.

⚠ WARNING Aunque los rifles STEYR AUG tienen varios seguros internos, diseñados para evitar una descarga no intencionada si se deja caer o se golpea el rifle STEYR AUG, la función correcta y segura del STEYR AUG depende de que se utilice para su propósito intencionado sin alterarlo ni modificarlo. Al igual que cualquier otro dispositivo mecánico, si el STEYR AUG se somete a fuerzas anormales y extremas puede producirse un fallo de las partes. Por eso, es necesario seguir siempre las prácticas del manejo seguro de armas de fuego así como las instrucciones y advertencias de seguridad de este manual para reducir al mínimo el riesgo de lesiones personales graves o la muerte para usted u otros.

⚠ WARNING En caso de que cualquiera de los seguros del rifle STEYR AUG resulte ser ineficaz por cualquier motivo, existe la posibilidad de descarga no intencionada. De lo contrario, debe descargarse inmediatamente el rifle STEYR AUG y no utilizarse hasta que haya sido examinado por personal autorizado de STEYR.

CONJUNTO DEL MECANISMO DE DISPARO: El mecanismo de disparo está diseñado sólo para disparo semiautomático. Está situado en la parte posterior de la culata.

CONJUNTO DEL CARGADOR: El cargador extraíble es tipo caja al tresbolillo y está fabricado con material sintético transparente. Hay cargadores disponibles con capacidad para 30 balas (estándar) y 42 balas (opcionales).

STANDARD EQUIPMENT

- 1 STEYR AUG
- 2 Cargadores
- 1 Kit de limpieza
- 1 Manual del propietario
- 1 Formulario de conocimiento de la seguridad en el uso de las armas de fuego
- 1 Tarjeta de respuesta al servicio del producto

CAPÍTULO 2: CARGAR

⚠ WARNING Para reducir al mínimo el riesgo de descarga negligente, cargar sólo municiones real en el rifle STEYR AUG cuando esté preparado para dispararlo.

⚠ WARNING Utilice sólo municiones de alta calidad fabricadas para fines comerciales en el mismo calibre que el STEYR AUG. La munición recargada o cargada manualmente puede no cumplir las normas SAAMI aplicables y podría no ser segura.

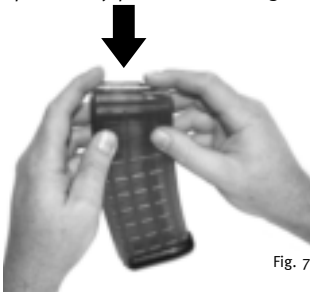


Fig. 7

Para cargar el cargador, presione cada cartucho hacia abajo y hacia dentro del cargador - soportando la fuerza del muelle del cargador.



Fig. 8

Para introducir el cargador, agarre la empuñadura con la mano derecha y sujete el cargador con la izquierda. Introduzca el cargador hacia arriba y dentro del pozo del cargador hasta que el cerrojo desenganche del cargador quede acoplado (indicado por un sonido de “clic”).

Si la corredera para amartillar está en posición hacia delante, agarre la empuñadura con la mano derecha, manteniendo el dedo fuera del gatillo y fuera del guardamonte:



Fig. 9

⚠ CAUTION Empuje siempre la corredera para amartillar hacia atrás con la palma hacia arriba tal como se muestra en la fotografía adjunta para evitar cortes o arañazos en sus nudillos con cualquier dispositivo, como un visor óptico, que pueda estar montado en el caril Picatinny del receptor.



Fig. 10

(1) empuje la corredera para amartillar hacia atrás con la mano izquierda y bloquéela en la posición trasera girándola en el sentido de las agujas del reloj y dejándola descansar en la muesca del receptor; y



Fig. 11

(2) gire la corredera para amartillar en sentido contrario a las agujas del reloj con el dedo pulgar de la mano izquierda y deje que la corredera para amartillar y el portador del cerrojo se desplacen hacia delante por acción del muelle recuperador.

0



Fig. 12

Si la corredera para amartillar está en posición hacia atrás, presione la parte superior del cerrojo desenganche hacia dentro para liberar el portador del cerrojo y vuelva a colocarlo en su posición totalmente hacia delante.

0



Fig. 13

Empuje la corredera para amartillar totalmente hacia atrás y suéltela, dejándola volver a su posición totalmente hacia delante.

⚠ WARNING El rifle STEYR AUG está ya cargado y disparará si se aprieta el gatillo con el seguro en posición de “disparo”.

NOTICE No agarre la corredera para amartillar ni la “monte” hacia delante, déjela desplazarse hacia delante por sí sola por acción del muelle recuperador. Si el cerrojo no cierra correctamente porque usted “ha montado” la corredera para amartillar hacia delante en lugar de dejar que se cierre por sí sola por acción del muelle recuperador o debido a la presencia de lodo, arena o hielo, puede bloquearlo manualmente utilizando la corredera para amartillar como “forward assist” (asistente del cerrojo).



Fig. 14

Utilizando la corredera para amartillar como asistente del cerrojo:

1. Retraiga la corredera para amartillar aproximadamente 2,54 cm.
2. Gire la empuñadura de disparo hacia dentro con la mano izquierda (la corredera para amartillar y la pieza de empuje ya están ya conectadas).
3. Desplace la corredera para amartillar hacia delante, hasta que el cerrojo quede bloqueado (indicado por un sonido de “clic”).

CAPÍTULO 3: DISPARAR

⚠ WARNING Antes de disparar el rifle STEYR AUG, pase un parche limpio a lo largo del cañón, desde el extremo de la recámara hasta el extremo de la boca, con ayuda de un cordón de limpieza. Repita este procedimiento hasta que el parche salga del cañón sin aceite de armas o lubricante, limpiador y conservante sobre él.

⚠ WARNING Asegúrese siempre de que el cañón del rifle STEYR AUG no contiene obstrucción alguna antes de dispararlo. Elimine cualquier obstrucción antes de disparar el STEYR AUG de modo que funcione correctamente y con seguridad. Cualquier obstrucción en el cañón podría impedir que el rifle STEYR AUG dispare correctamente y provocar lesiones personales graves, daños al STEYR AUG y la muerte.

⚠ WARNING En caso de fallo al disparar, continúe manteniendo el rifle STEYR AUG apuntado hacia el objetivo durante al menos 30 segundos. Si se produce una suspensión del fuego (encendido progresivo), el cartucho disparará aproximadamente en segundos 30 segundos. Si el cartucho no se ha disparado, retire el cargador, extraiga el cartucho de la recámara y examine el fulminante. Si la muesca del percutor es ligera, descentrada, o no existente, debe someter el rifle STEYR AUG a inspección por personal autorizado de STEYR. Si el aspecto de la muesca del precursor en el cebo es normal (comparado con los cartuchos previamente disparados) es probable que el cartucho esté defectuoso. Separe el cartucho de otras municiones reales y casquillos vacíos, recargue el STEYR AUG y siga disparando. NOTA: Deseche los cartuchos fallados conforme a las instrucciones del fabricante de municiones.

⚠ WARNING No utilice nunca el STEYR AUG si no funciona correctamente, y nunca cierre el cerrojo forzándolo en un cartucho atascado ya que podría causar la explosión del cartucho.

⚠ WARNING Nunca apriete el gatillo si el cerrojo no cierra por completo para evitar un posible disparo “out of battery” o “sin batería” (cuando el cartucho está fuera de la recámara). Si ocurre esto, descargue el rifle STEYR AUG tal como se describe en el Capítulo 4 y examine la bala que estaba en la recámara e inspeccione la recámara para asegurarse de que no contiene obstrucción alguna ni residuos.

⚠ WARNING Utilice siempre gafas de tiro cuando dispare el rifle STEYR AUG para protegerse los ojos.

⚠ WARNING Lleve siempre protección para los oídos cuando dispare el rifle STEYR AUG para proteger su capacidad auditiva contra el ruido.

⚠ WARNING Asegúrese siempre de que el respaldo es adecuado para frenar y contener las balas antes de disparar de modo que no toque nada fuera de la pista de tiro. Una bala podría atravesar su objetivo o pasarlo de largo a una distancia aproximada de 6 km. En caso de duda, no dispare.

⚠ WARNING Nunca dispare a superficies duras, como rocas, o superficies líquidas, como agua, porque el diábolo puede rebotar y viajar en cualquier dirección, y golpear a alguien o a usted.

⚠ CAUTION Manténgase y mantenga a los demás alejados del puerto de eyección ya que los cartuchos usados están calientes y son se expulsan con la suficiente fuerza como para causar lesiones. No toque nunca el cañón inmediatamente después de disparar ya que está caliente y podría causar quemaduras.

⚠ CAUTION No coloque nunca los dedos en el puerto de eyección ya que el movimiento del cerrojo podría causarle lesiones.

⚠ CAUTION No dispare nunca el rifle STEYR AUG cerca de un animal a menos que éste esté adiestrado para aceptar el ruido. La reacción de sobresalto del animal podría lesionarle, o causar un accidente.

NOTICE Designe siempre una persona responsable y competente que se encargue de mantener la seguridad, disciplina y el control cuando un grupo dispare a distancia, para reducir las probabilidades de que ocurra una descarga negligente.

NOTICE Transporte siempre el STEYR AUG descargado con el cerrojo desbloqueado en posición hacia atrás cuando esté en el campo de tiro preparándose para disparar. Mantenga siempre la boca apuntada hacia el respaldo al cargarlo, dispararlo y descargarlo.

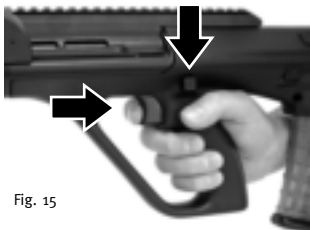


Fig. 15

Para disparar el STEYR AUG cuando el cartucho está cargado en la recámara, desplace el seguro totalmente hacia la izquierda en posición de “disparo” y apriete el gatillo. Para disparar otro tiro, suelte el gatillo y después vuelva a apretarlo. Cuando haya disparado la última bala, el portador del cerrojo permanecerá desbloqueado en posición hacia atrás.

Si pasa un parche de limpieza que esté bien lubricado con disolvente limpiador de armas o lubricante, limpiador y conservante a lo largo del cañón, desde el extremo de la recámara hasta el extremo de la boca, inmediatamente después de terminar de disparar el STEYR AUG, esto facilitará el proceso de limpieza descrito en el Capítulo 6.

⚠ WARNING Si lubrica el cañón del STEYR AUG inmediatamente después de dispararlo tal como se ha explicado anteriormente para facilitar el proceso de limpieza, DEBE limpiarlo también tal como se indica en el Capítulo 6 antes de volver a dispararlo para eliminar el lubricante de manera que ésta no obstruya el cañón, lo cual ocasionaría posibles lesiones graves o la muerte.

CAPÍTULO 4: DESCARGAR

⚠ WARNING Es posible que haya un cartucho alojado en la recámara al retirar el cargador cargado del rifle STEYR AUG o al introducirlo en éste. El cartucho alojado en la recámara se descargará al apretar el gatillo cuando el seguro esté en posición de “disparo”, tanto si hay o no cargador en el STEYR AUG. Por tanto, no deje nunca el STEYR AUG desatendido, aun cuando se haya extraído el cargador. Debe verificar siempre si la recámara está vacía antes de desmontar el STEYR AUG para limpiarlo o por cualquier otro motivo.

Para descargar el STEYR AUG, siga las instrucciones siguientes:

⚠ WARNING Para asegurarse de que el STEYR AUG está descargado, DEBE seguir estos pasos en este orden a fin de comprobar que no hay cartuchos alojados en la recámara cuando haya terminado de descargar el rifle.



Fig. 16

1. Agarre la empuñadura del STEYR AUG con la mano derecha y mantenga el dedo alejado del gatillo y fuera del guardamonte y, sujetando el cargador con la mano izquierda, empuje la parte trasera del retén del cargador hacia arriba con el dedo pulgar izquierdo;
2. Empuje el cargador hacia abajo y fuera del pozo del cargador con la mano izquierda;



Fig. 9



Fig. 10

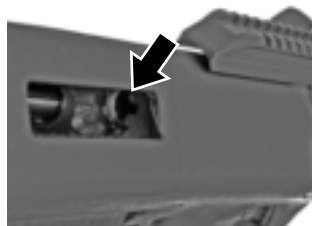


Fig. 17



Fig. 11

CAUTION Empuje siempre la corredera para amartillar hacia atrás con la palma hacia arriba tal como se muestra en la fotografía adjunta para evitar cortes o arañazos en sus nudillos con cualquier dispositivo, como un visor óptico, que pueda estar montado en el caril Picatinny del receptor.

3. Con la mano izquierda y la palma hacia arriba, empuje la corredera para amartillar hacia atrás para expulsar cualquier cartucho que pueda estar alojado en la recámara y bloquéela en la posición trasera girándola en el sentido de las agujas del reloj y dejándola descansar en la muesca del receptor;
4. Haga una comprobación visual y manual para asegurarse de que no ha quedado ningún cartucho alojado en la cámara;
5. Gire la corredera para amartillar en sentido contrario a las agujas del reloj con el dedo pulgar izquierdo y deje que la corredera para amartillar y el portador del cerrojo se desplacen hacia delante por acción del muelle recuperador.

CAPÍTULO 5: DESMONTAJE

⚠ WARNING Es posible que haya un cartucho alojado en la recámara al retirar el cargador cargado del rifle STEYR AUG o al introducirlo en éste. El cartucho alojado en la recámara se descargará al apretar el gatillo cuando el seguro esté en posición de “disparo”, tanto si hay o no cargador en el STEYR AUG. Por tanto, no deje nunca el STEYR AUG desatendido, aún cuando se haya extraído el cargador. Debe verificar siempre si la recámara está vacía antes de desmontar el STEYR AUG para limpiarlo o por cualquier otro motivo.

⚠ WARNING No altere ni modifique nunca el STEYR AUG porque ello podría causar un mal funcionamiento del rifle y crear condiciones peligrosas.

⚠ WARNING Utilice siempre gafas protectoras al desmontar el rifle STEYR AUG para protegerse los ojos de los muelles.

Para desmontar (field strip) el STEYR AUG en sus grupos de componentes principales para su limpieza, siga las instrucciones siguientes:

⚠ WARNING Para asegurarse de que el STEYR AUG está descargado, DEBE seguir estos pasos en este orden al desmontarlo a fin de comprobar que no hay cartuchos alojados en la recámara.

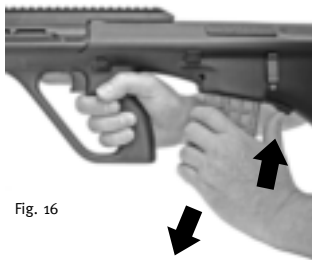


Fig. 16

1. Agarre la empuñadura del STEYR AUG con la mano derecha y mantenga el dedo alejado del gatillo y fuera del guardamonte y, sujetando el cargador con la mano izquierda, presione la parte trasera del retén del cargador hacia arriba con el dedo pulgar izquierdo;
2. Tire del cargador hacia abajo y fuera del pozo del cargador con la mano izquierda;



Fig. 9

CAUTION Empuje siempre la corredera para amartillar hacia atrás con la palma hacia arriba tal como se muestra en la fotografía adjunta para evitar cortes o arañazos en sus nudillos con cualquier dispositivo, como un visor óptico, que pueda estar montado en el carril Picatinny del receptor.



Fig. 10

3. Con la mano izquierda y la palma hacia arriba, empuje la corredera para amartillar hacia atrás para expulsar cualquier cartucho que pueda estar alojado en la recámara y bloquéela en la posición trasera girándola en el sentido de las agujas del reloj y dejándola descansar en la muesca del receptor;

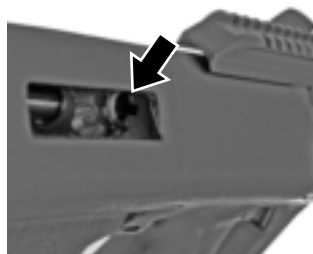


Fig. 17

4. Haga una comprobación visual y manual para asegurarse de que no ha quedado ningún cartucho alojado en la cámara;



Fig. 18

5. Agarre la empuñadura con la mano izquierda y utilice el dedo pulgar de la mano izquierda para pulsar el botón del pasador de cerrojo del cañón, girando a la vez la empuñadura en el sentido de las agujas del reloj y presionando el cañón hacia delante y fuera del receptor;



Fig. 11

6. Desplace la corredera para amartillar hacia delante girándola en sentido contrario a las agujas del reloj con el dedo pulgar de la mano izquierda;



Fig. 19

7. Sujete la parte superior de la culata con la mano izquierda y empuje cerrojo del receptor de izquierda a derecha con el dedo pulgar de la mano derecha;



Fig. 20

8. Empuje el receptor y el portador del cerrojo hacia delante y fuera de la culata;



Fig. 21

9. Sujete el receptor con la mano izquierda y empuje el portador del cerrojo hacia delante y fuera de aquel con la mano derecha;



Fig. 22

10. Mantenga la culata en posición vertical con la placa de culata hacia arriba y pulse sobre la muesca de la placa de extremo con el dedo pulgar de la mano derecha, presionando a la vez hacia dentro el cerrojo de retención en la parte trasera de la culata con el dedo pulgar de la mano izquierda;



Fig. 23

11. Sujete la culata con la mano izquierda y extraiga la placa de culata de la culata con la mano derecha;

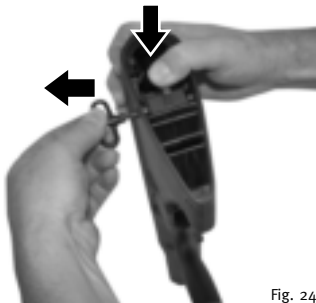


Fig. 24

12. Mantenga la culata en posición vertical con la placa de culata hacia arriba y presione el cierre del cerrojo de retención hacia dentro con el dedo pulgar de la mano derecha y extraiga el cerrojo de retención de la culata con la mano izquierda;



Fig. 25

13. Sujete la culata con la mano izquierda y apriete el mecanismo de disparador fuera de la culata con la mano derecha.

Para desmontar el sistema operativo de gas, siga las instrucciones siguientes:

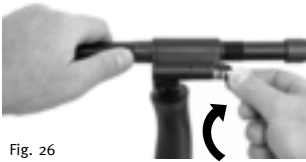


Fig. 26

1. Sujete el cañón con la mano izquierda;
2. Pulse la pieza de presión del regulador de gas, girándola en el sentido de las agujas del reloj hasta que su ranura se sitúe en la misma posición que la punta del cilindro de gas;



Fig. 27

3. Extraiga el regulador de gas;



Fig. 28

4. Utilice la pieza de empuje derecha del portador del cerrojo para presionar el pistón de gas hacia fuera;



Fig. 29

5. Extraiga el pistón de gas y el muelle del pistón.

Para desmontar el portador del cerrojo, siga las instrucciones siguientes:

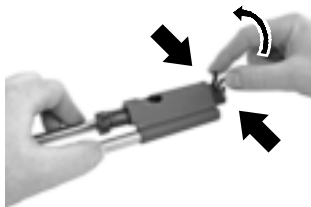


Fig. 30

1. Presione las dos alas del dispositivo antigiro hasta juntarlas y gírelo hacia arriba;

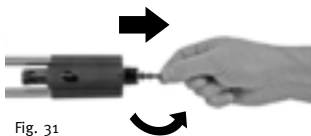


Fig. 31

2. Gire el percutor en el sentido contrario a las agujas del reloj con el dedo pulgar y el dedo índice de la mano derecha hasta que salte por su propio impulso;

3. Extraiga el percutor del cerrojo;



Fig. 32

4. Press the bolt slightly back with the thumb of your left hand while pressing the control bolt down with your right index finger;
5. Deje de hacer presión con del dedo pulgar izquierdo sobre el cerrojo;



Fig. 33

6. Sujete el portador del cerrojo con la mano izquierda y saque el cerrojo y la pieza de cierre con el muelle y la manga hacia delante y fuera del portador del cerrojo con la mano derecha;



Fig. 34

7. Sujete el portador del cerrojo con la mano izquierda y empuje la pieza para amartillar hacia abajo y fuera del portador del cerrojo con la mano derecha.

Para desmontar el cargador, siga las instrucciones siguientes:

NOTICE El cargador no debe desmontarse a menos que sea necesario, y no es necesario desmontarlo para efectuar la limpieza normal del STEYR AUG.

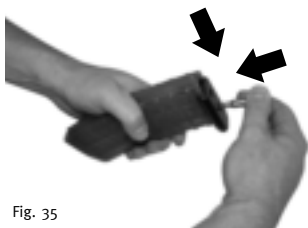


Fig. 35

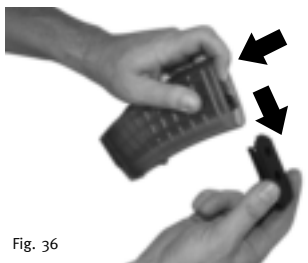


Fig. 36



Fig. 37

1. Sujete el cargador con su mano izquierda y manteniendo la placa base en la parte superior;
2. Introduzca la punta del cartucho o el soporte del parche de limpieza en uno de los orificios de la placa base del cargador y presione el dispositivo de retenida hacia dentro, empezando a empujar la placa base hacia delante y fuera del cuerpo del cargador con la mano derecha;
3. Mientras continúa empujando la placa base hacia delante y fuera del cuerpo del cargador, mantenga el dispositivo de retenida presionado en el cuerpo del cargador con el dedo índice de la mano izquierda;
4. Sujete el dispositivo de retenida con la mano derecha y deje que sea expulsada del cuerpo del cargador por acción del muelle del cargador;
5. Extraiga el dispositivo de retenida, el muelle del cargador y el seguidor fuera del cuerpo del cargador con la mano derecha.

⚠ WARNING No desmonte nunca más partes del STEYR AUG. Cualquier desmontaje adicional debe ser efectuado por personal autorizado de STEYR.

Para cambiar el cargador del STEYR AUG de eyección derecha a eyección izquierda, siga las instrucciones siguientes:



Fig. 38



Fig. 39

1. Utilice la mano derecha para levantar ligeramente la parte frontal de la tapa de expulsión externa empujando la parte trasera de éste hacia delante con el dedo pulgar izquierdo;
2. Extraiga la tapa de expulsión de la culata;
3. La tapa de expulsión interna caerá en la culata y podrá extraerse a través del pozo del cargador o el puerto de eyección;
4. En el interior de la culata, introduzca la tapa de expulsión interna en el puerto de eyección a la derecha de la culata;
5. Deslice la tapa de expulsión externa hacia la tapa de expulsión interna a la derecha de la culata hasta que quede puesta.

CAPÍTULO 6: MANTENIMIENTO PREVENTIVO

⚠ WARNING Asegúrese siempre de que el cañón del rifle STEYR AUG no contiene obstrucción alguna antes de dispararlo. Elimine cualquier obstrucción antes de disparar el STEYR AUG de modo que funcione correctamente y con seguridad. Cualquier obstrucción en el cañón podría impedir que el rifle STEYR AUG dispare correctamente y provocar lesiones personales graves, daños al STEYR AUG y la muerte.

⚠ WARNING Es posible que haya un cartucho alojado en la recámara al retirar el cargador cargado del rifle STEYR AUG o al introducirlo en éste. El cartucho alojado en la recámara se descargará al apretar el gatillo cuando el seguro esté en posición de “disparo”, tanto si hay o no cargador en el STEYR AUG. Por tanto, no deje nunca el STEYR AUG desatendido, aun cuando se haya extraído el cargador. Debe verificar siempre si la recámara está vacía antes de desmontar el STEYR AUG para limpiarlo o por cualquier otro motivo.

⚠ WARNING Utilice siempre gafas protectoras cuando efectúe la limpieza del STEYR AUG para protegerse los ojos de los materiales de limpieza.

⚠ WARNING Asegúrese siempre de que no hay municiones en la zona donde efectúa la limpieza del STEYR AUG. Los disolventes de limpieza pueden afectar al fulminante y a la pólvora de las municiones y causar un mal funcionamiento, lo cual podría provocar que la bala sea empujada hacia el cañón del STEYR AUG y se atasque. Disparar otra bala con otra atascada en el cañón podría provocar la explosión y provoca lesiones personales graves, daños al STEYR AUG y la muerte.

Limpieza de las partes principales.



Limpie y lubrique las partes principales del STEYR AUG después de dispararlo o siempre que haya sido expuesto a arena, polvo o agua (incluyendo humedad o condensación). Es importante efectuar un mantenimiento correcto para asegurarse de que el STEYR AUG funciona correctamente. Para limpiar el STEYR AUG, primero desmóntelo de acuerdo con las instrucciones del Capítulo 5. Utilice siempre parches y cepillos de limpieza del tamaño correspondiente al calibre del STEYR AUG.

Después de desmontar el STEYR AUG, límpielo del modo siguiente utilizando el kit de limpieza incluido (guardado en la parte trasera de la culata):



Fig. 40

Limpiar la parte interior del cañón del modo siguiente:

1. Atornille el soporte del parche en el extremo roscado del cordón de limpieza. Introduzca el parche de limpieza en el soporte del parche. Humedezca el parche de limpieza con un disolvente limpiador de armas o lubricante, limpiador y conservante y páselo a lo largo del cañón desde el extremo de la recámara hasta el extremo de la boca, varias veces hasta que el cañón esté limpio. Si es necesario, sustituya el parche de limpieza sucio por uno nuevo durante este proceso;
2. Desatornille el soporte del parche del cordel de limpieza y atornille el cepillo de cerdas en vez del otro. Humedezca ligeramente el cepillo de cerdas y páselo una vez a través del cañón, desde el extremo de la recámara hasta el extremo de la boca. Si el cañón está muy sucio, como cuando ocurre cuando acaba de ser disparado muchas veces sin haberlo limpiado, utilice el cepillo de cerdas en vez del otro.
3. Desatornille el cepillo de cerdas del cordel de limpieza y vuelva a colocar el soporte del parche atornillándolo. Humedezca otro parche de limpieza con disolvente limpiador de armas o lubricante, limpiador y conservante y páselo una vez a través del cañón, desde el extremo de la recámara hasta el extremo de la boca, y examínelo. Si no está limpio, repita los pasos dos y tres hasta que el parche quede limpio después de pasarlo a través del cañón;

4. Pase un parche limpio una vez a lo largo del cañón, desde el extremo de la cámara hasta el extremo de la boca;
5. Humedezca ligeramente un parche limpio con aceite de armas o lubricante, limpiador y conservante y páselo una vez a lo largo del cañón, desde el extremo de la recámara hasta el extremo de la boca;
6. Antes de disparar el rifle STEYR AUG, pase un parche limpio una vez a lo largo del cañón, desde el extremo de la recámara hasta el extremo de la boca. Repita este procedimiento hasta que el parche salga del cañón sin aceite de armas o lubricante, limpiador y conservante sobre él.

NOTICE Si va a almacenar el STEYR AUG, no realice el paso 6 hasta que esté preparado para dispararlo.

Limpiar el cilindro de gas, el pistón de gas, el muelle del pistón de gas y el regulador de gas del modo siguiente:

1. Humedezca un parche de limpieza o un trapo suave con disolvente limpiador de armas o lubricante, limpiador y conservante y frote el cilindro de gas, el pistón de gas, el muelle del pistón de gas y el regulador de gas para eliminar la suciedad o los residuos;
2. Seque las zonas con un parche limpio y examínelo. Si no está limpio, repita los pasos uno y dos hasta que el parche quede limpio;
3. Limpie los orificios del regulador de gas con ayuda de un trozo de madera suave.

NOTICE No utilice ningún objeto metálico para limpiar los orificios del cabezal de gas ya que podría dañarlos.

Limpie las partes de plástico y el mecanismo de disparador del STEYR AUG utilizando un parche de limpieza o un trapo suave. Si es necesario puede utilizarse agua para limpiar las partes de plástico del STEYR AUG.

Limpie las partes metálicas del STEYR AUG con un parche de limpieza.

NOTICE No utilice agua para limpiar las partes metálicas del STEYR AUG.

Se deben lubricar ciertas partes metálicas del STEYR AUG con aceite de armas o lubricante, limpiador y conservante del modo siguiente:

Fig. 41



1. Aplique 2 gotas de aceite en los anillos del pistón de gas;

Fig. 42



2. Aplique 2 gotas de aceite en la zona vacía del regulador de gas;

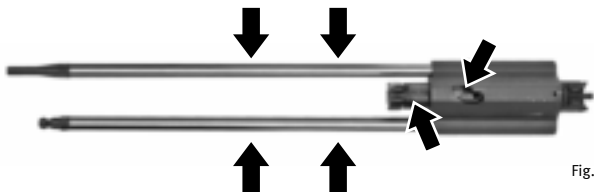


Fig. 43

3. Aplique 2 gotas de aceite en ambas varillas guía del cerrojo;
4. Aplique 2 gotas de aceite entre el cerrojo de control y la ranura de control;
5. Aplique 1 gota de aceite en la pieza de cierre;
6. Aplique una capa fina de aceite a las superficies metálicas de la parte externa del STEYR AUG;

CAUTION No lubrique en exceso el STEYR AUG ya que el lubricante excesivo puede acumular pólvora no quemada y otros residuos e impedir que el STEYR AUG funcione correctamente.

NOTICE Una vez que haya limpiado el STEYR AUG, vuelva a montarlo tal como se indica en el Capítulo 7.

CAPÍTULO 7: REENSAMBLADO

⚠ WARNING Utilice siempre gafas protectoras al desmontar el rifle STEYR AUG para protegerse los ojos de los muelles.

Para reensamblar el STEYR AUG después de limpiarlo, siga las instrucciones siguientes.

Para montar el cargador, siga las instrucciones siguientes:



Fig. 44

1. Sujete el cuerpo del cargador con la mano izquierda, y con la base hacia arriba;
2. Introduzca el seguidor, el muelle del cargador y el dispositivo de retenida en el cuerpo del cargador;

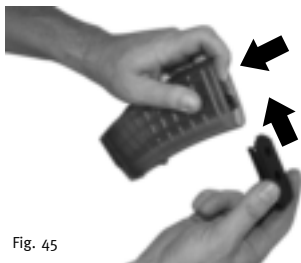


Fig. 45

3. Empuje el dispositivo de retenida en el cuerpo del cargador y sujetándolo con el dedo índice, deslice la placa base sobre el cuerpo del cargador de delante hacia atrás con la mano derecha.

Para montar el portador del cerrojo, siga las instrucciones siguientes:



Fig. 46

1. Sujete el portador del cerrojo con la mano izquierda;
2. Introduzca la pieza para amortillar en la parte trasera del portador del cerrojo con la mano derecha;



Fig. 47

3. Sujete el cerrojo con la mano izquierda e introduzca la pieza de cierre con el muelle y el mango en el cerrojo con la mano derecha;



Fig. 48

4. Sujete el portador del cerrojo con la mano izquierda y deslice el cerrojo hacia dentro del portador del cerrojo, con la manga y el muelle primero y el extractor a la derecha, con la mano derecha;

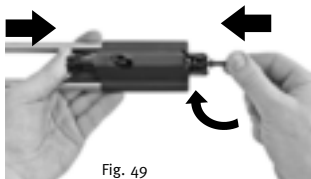


Fig. 49

5. Sujete el portador del cerrojo con la mano izquierda y empuje el cerrojo hacia dentro del portador del cerrojo con el dedo pulgar izquierdo, introduciendo el percutor en la parte de atrás del portador del cerrojo con la mano derecha hasta que se oiga un “clic” y el percutor salte automáticamente para colocarse en su posición de bloqueo;

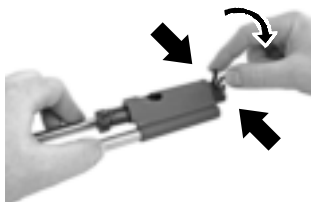


Fig. 50

6. Presione las dos alas del dispositivo antigiro juntas y gírelo hacia abajo.

Para montar el sistema operativo de gas, siga las instrucciones siguientes:

1. Sujete el cañón con la mano izquierda;



Fig. 51

2. Introduzca el pistón de gas en el muelle del pistón de gas;



Fig. 52

3. Introduzca el pistón de gas y el muelle del pistón de gas en la apertura del cañón y empújelos totalmente dentro de éste de modo que ya no sean visibles de lado;



Fig. 53

4. Introduzca el regulador de gas en la apertura del cañón detrás del pistón de gas y el muelle, con la ranura alineada con la punta del cilindro de gas;

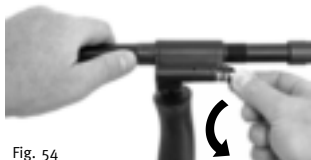


Fig. 54

5. Empuje el regulador de gas hacia dentro girándolo en sentido contrario a las agujas del reloj en la posición uno.

NOTICE El regulador de gas tiene dos posiciones. La posición uno, que se utiliza en condiciones normales, está indicada por un pequeño punto en el cilindro de gas. La posición dos, que se utiliza en condiciones adversas tales como temperaturas bajas o cuando el rifle STEYR AUG está sucio, está indicada por un punto grande en el cilindro de gas.

Para montar los grupos de componentes principales del STEYR AUG, siga las instrucciones siguientes:

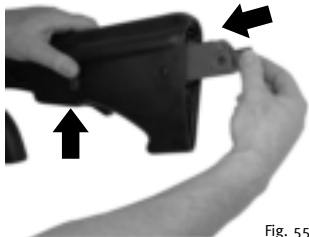


Fig. 55

1. Sujete la culata con la mano izquierda y presione la parte superior de la leva desenganche del cerrojo contra la culata con el dedo pulgar izquierdo;
2. Introduzca el mecanismo de disparador (el martillo debe estar montado) en la parte trasera de la culata con la mano derecha;

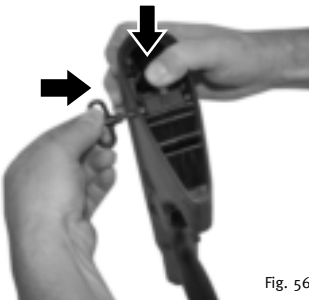


Fig. 56

3. Empuje el cierre del cerrojo de retención hacia dentro con el dedo pulgar derecho;
4. Presione el cerrojo de retención a fondo en la culata con la mano izquierda;



Fig. 57

5. Introduzca la placa de culata en la culata con la punta pequeña de la culata introducida en la ranura de la placa de culata;

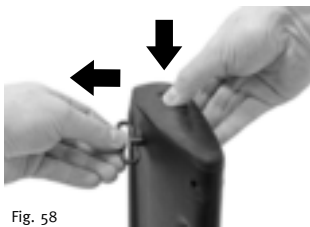


Fig. 58

6. Presione la placa de culata hacia abajo con el dedo pulgar derecho, empujando parcialmente el cerrojo de retención fuera de la culata con la mano izquierda hasta oír un “clic”;



Fig. 59

7. Sujete el receptor con la mano izquierda y deslice el portador del cerrojo hacia dentro de éste con la mano derecha;



Fig. 60

8. Sujete la culata con la mano derecha y deslice el receptor y el portador del cerrojo hacia dentro de la culata con la mano izquierda;



Fig. 61

9. Empujando el receptor y el portador del cerrojo hacia dentro de la culata con la mano izquierda, presione el alojamiento de la cerradura de derecha a izquierda con el dedo pulgar de la mano derecha, hasta oír un “clic”;



Fig. 9



Fig. 62



Fig. 63



Fig. 11

CAUTION Empuje siempre la corredera para amartillar hacia atrás con la palma hacia arriba tal como se muestra en la fotografía adjunta para evitar cortes o arañazos en sus nudillos con cualquier dispositivo, como un visor óptico, que pueda estar montado en el carril Picatinny del receptor.

10. Agarre la empuñadura con la mano derecha, y empuje la corredera para amartillar hacia la parte trasera con la mano izquierda y con la palma hacia arriba y bloquéela en posición de atrás girándola en el sentido de las agujas del reloj dejándola descansar en la muesca del receptor;
11. Sujete el cañón con la mano izquierda y deslícelo hacia dentro del receptor, con la empuñadura delantera en ángulo aproximado de siete menos cuarto;
12. Gire el cañón, empujándolo hacia el receptor con la mano izquierda, en sentido contrario a las agujas del reloj hasta que quede fijo;
13. Desplace la corredera para amartillar hacia delante girándola en sentido contrario a las agujas del reloj con el dedo pulgar de la mano izquierda;



Fig. 8

14. Introduzca el cargador hacia arriba y hacia dentro del pozo del cargador con la mano izquierda hasta que el cerrojo desenchanche del cargador quede acoplado (indicado por un sonido de “clic”).

Después de montar el STEYR AUG, compruébelo para asegurarse de que funciona correctamente del modo indicado a continuación:



Fig. 16

1. Agarre la empuñadura del STEYR AUG con la mano derecha y mantenga el dedo alejado del gatillo y fuera del guardamonte y, sujetando el cargador con la mano izquierda, presione la parte trasera del retén del cargador hacia arriba con el dedo pulgar izquierdo;



Fig. 9

2. Empuje el cargador hacia abajo y fuera del pozo del cargador con la mano izquierda;

CAUTION Empuje siempre la corredera para amartillar hacia atrás con la palma hacia arriba tal como se muestra en la fotografía adjunta para evitar cortes o arañazos en sus nudillos con cualquier dispositivo, como un visor óptico, que pueda estar montado en el carril Picatinny del receptor.



Fig. 10



Fig. 11



Fig. 64

3. Con la mano izquierda y la palma hacia arriba, empuje la corredera para amartillar hacia atrás para expulsar cualquier cartucho que pueda estar alojado en la recámara y bloquéela en la posición trasera girándola en el sentido de las agujas del reloj y dejándola descansar en la muesca del receptor;
4. Gire la corredera para amartillar en sentido contrario a las agujas del reloj con el dedo pulgar izquierdo y deje que la corredera para amartillar y el portador del cerrojo se desplacen hacia delante por acción del muelle recuperador;
5. Examínelo para comprobar si el cerrojo está totalmente bloqueado;



Fig. 6

6. Empuje el seguro a fondo hacia la izquierda en posición de “disparo”;



Fig. 15

7. Apriete el gatillo (debe oírse un “clic” al golpear el martillo al percutor);



Fig. 5

8. Empuje el seguro a fondo hacia la derecha en posición de “activado”;



Fig. 65

9. Intente apretar el gatillo (éste no deberá moverse).

CAPÍTULO 8: CORRECCIÓN DE FALLOS

Problemas con la alimentación o carga de municiones.

Causa probable	Solución
El cargador no se ha introducido correctamente	Extraiga el cargador y vuelva a introducirlo. Deberá escuchar un sonido de “clic” cuando la retenida del cargador esté acoplada.
El cargador está dañado.	Examine el cargador y sustitúyalo por uno nuevo si está dañado.
El cargador está sucio.	Examine el cargador y límpielo si está sucio.
La presión de gas es insuficiente.	Desplace el regulador de gas a la posición dos (indicada por un punto grande en el cilindro de gas).
La recámara está sucia.	Examine la recámara y límpiela si está sucia.
El cartucho está defectuoso o sucio.	Deseche el cartucho y utilice uno nuevo. Examine la recámara y límpiela si está sucia.

El cerrojo no se cierra completamente.

Causa probable	Solución
La recámara o el cerrojo están sucios.	Examine la recámara y el cerrojo y límpielos si están sucios.
El cartucho está defectuoso.	Deseche el cartucho y utilice uno nuevo.
El extractor está atascado.	Limpie y lubrique la recámara y el extractor.

Fallo de tiro.

Causa probable	Solución
El cartucho está defectuoso.	Deseche el cartucho y utilice uno nuevo.
El cerrojo está sucio.	Limpie y lubrique el cerrojo.
El percutor está roto.	Póngase en contacto con STEYR ARMS, Inc. para devolver el rifle STEYR AUG al servicio de reparación.
El mecanismo de disparador está roto.	Póngase en contacto con STEYR ARMS, Inc. para devolver el STEYR AUG al servicio de reparación.

Problemas de extracción.

Causa probable	Solución
El extractor está atascado.	Limpie y lubrique el extractor.
El extractor está roto.	Póngase en contacto con STEYR ARMS, Inc. para devolver el rifle STEYR AUG al servicio de reparación.
El muelle de extractor está débil.	Póngase en contacto con STEYR ARMS, Inc. para devolver el rifle STEYR AUG al servicio de reparación.

Problemas de expulsión (el cartucho es extraído de la recámara, pero no es expulsado).

Causa probable	Solución
El expulsor está roto.	Póngase en contacto con STEYR ARMS, Inc. para devolver el rifle STEYR AUG al servicio de reparación.

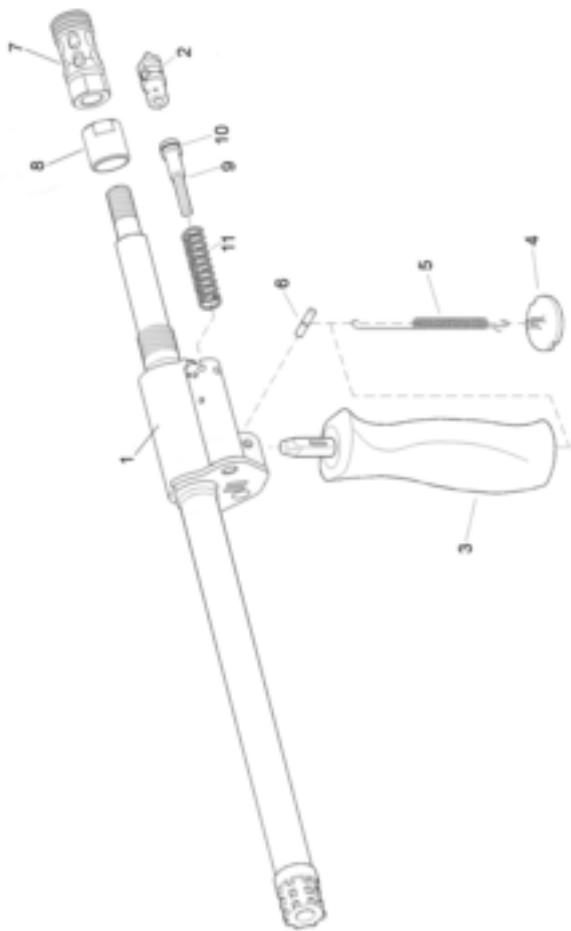
CAPÍTULO 9: SERVICIO DEL PRODUCTO

Debido a la complejidad de los términos de la Ley de garantías Magnuson-Moss, STEYR ARMS, Inc. ha decidido no ofrecer una garantía explícita. A pesar de ello, STEYR ARMS, Inc. permanece comprometida hacia sus clientes y garantiza la calidad de sus productos. Si su rifle STEYR AUG requiere servicio de reparación, póngase en contacto con STEYR ARMS, Inc. escribiendo a la dirección P.O. Box 840, Trussville, AL 35173 o llame al (205) 467-6544 para solicitar instrucciones sobre cómo devolver el STEYR AUG. No devuelva el STEYR AUG para servicios de reparación sin autorización previa.

Las garantías implícitas de comerciabilidad e idoneidad para un propósito específico quedan expresamente denegadas. STEYR ARMS, Inc. no se hace responsable de daños o lesiones causadas por el desmontaje del STEYR AUG más allá del desmontaje descrito en el Capítulo 5 de este Manual del propietario, así como de alteraciones o modificaciones del STEYR AUG, o del uso de munición recargada o cargada a mano, o munición de calibre distinto al del rifle STEYR AUG.

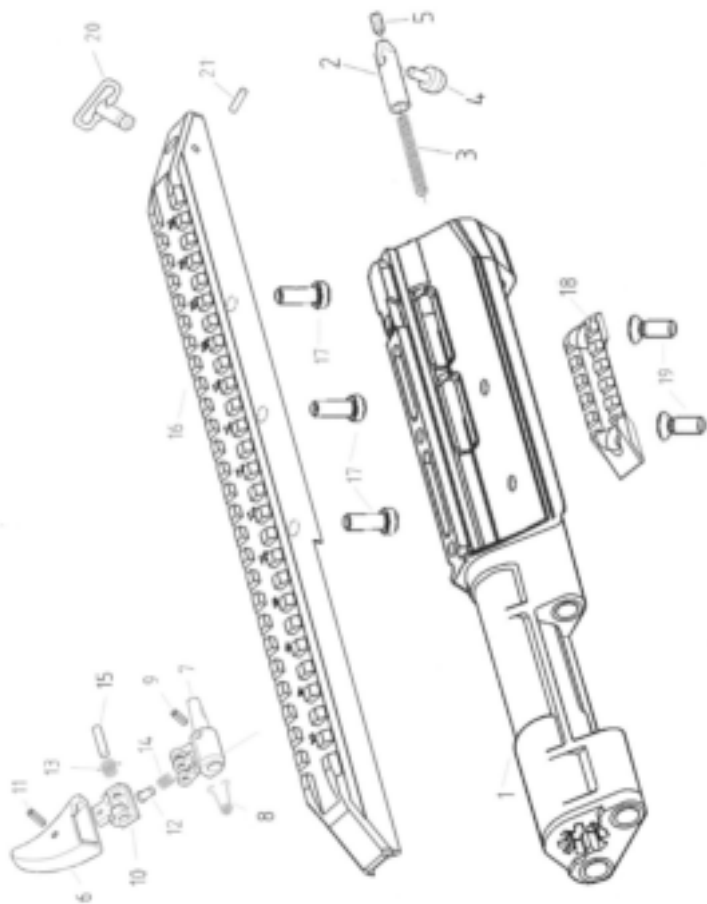
CAPÍTULO 10: ESPECIFICACIONES TÉCNICAS

Calibre	5.56x45mm (.223 Rem.)
Longitud.....	28.15" / 715 mm
Altura (sin cargador).....	9.37" / 238 mm
Altura (con cargador de 30 balas).....	11.06" / 281 mm
Peso (sin cargador).....	7.8 lbs. / 3.55 kg.
Longitud del cañón.....	16 pulgadas / 407 mm
Estriado.....	6 estrías, 1 paso vuelta in 9" / 228.6 mm
Capacidad del cargador.....	30 rounds (opcional 42 balas)
Peso del cargador vacío (30 balas)	4.27 oz. / 0.12 kgs



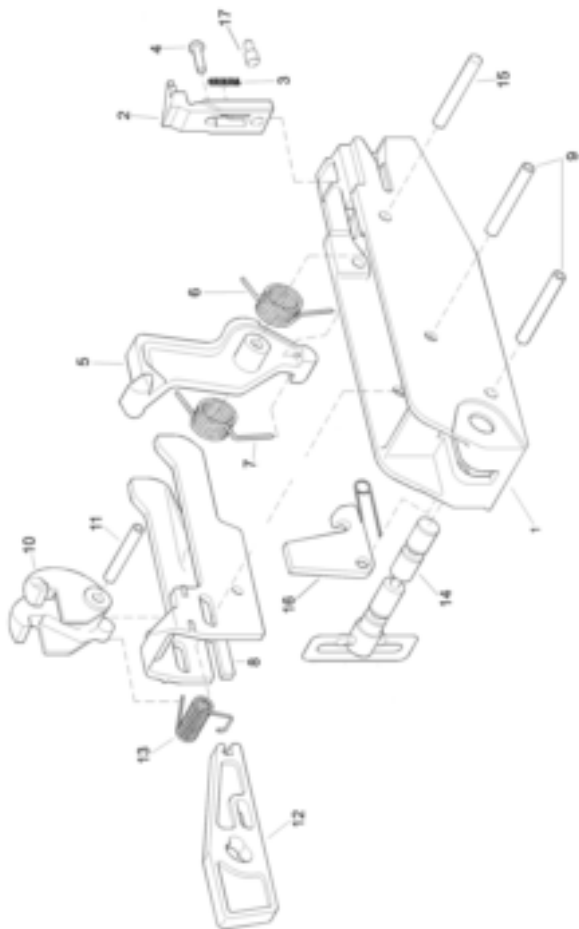
CAPÍTULO 11: LISTA DE PARTES

PIEZA	DESCRIPCIÓN	CANTIDAD
BARREL GROUP		
1.	CAÑÓN, SUBCONJUNTO.	1 PIEZA.
2.	REGULADOR GAS, SUBCONJUNTO	1 PIEZA.
3.	EMPUÑADURA 9011, SUBCONJUNTO.	1 PIEZA.
4.	TAPA, EMPUÑADURA 9011	1 PIEZA.
5.	MUELLE, EMPUÑADURA	1 PIEZA.
6.	PASADOR	1 PIEZA.
7.	BOCACHA	1 PIEZA.
8.	TUERCA	1 PIEZA.
9.	PISTÓN GAS	1 PIEZA.
10.	ANILLO, PISTÓN GAS	3 PIEZAS.
11.	MUELLE, PISTÓN GAS	1 PIEZA.



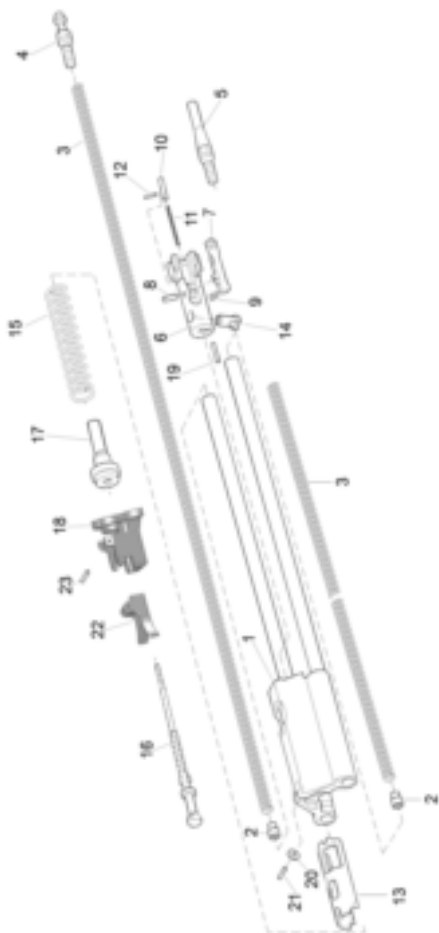
CAPÍTULO 11: LISTA DE PARTES

PIEZA	DESCRIPCIÓN	CANTIDAD
CONJUNTO DEL RECEPTOR		
1	RECEPTOR A ₃ SA, SUBCONJUNTO.	1 PIEZA.
2	PASADOR, CERROJO CAÑÓN	1 PIEZA.
3	MUELLE, PASADOR, CERROJO CAÑÓN	1 PIEZA.
4	BOTÓN, SUBCONJUNTO, NEGRO	1 PIEZA.
5	TORNILLO DE CABEZA HENDIDA	1 PIEZA.
6	EMPUÑADURA, CORREDERA PARA AMARTILLAR, NEGRA	1 PIEZA.
7	CUERPO, CORREDERA PARA AMARTILLAR	1 PIEZA.
8	MUELLE, CORREDERA PARA AMARTILLAR	1 PIEZA.
9	PASADOR	1 PIEZA.
10	PIEZA UNIÓN	1 PIEZA.
11	PASADOR	1 PIEZA.
12	CERROJO CONEXIÓN	1 PIEZA.
13	MUELLE, CORREDERA PARA AMARTILLAR	1 PIEZA.
14	MUELLE, CERROJO CONEXIÓN	1 PIEZA.
15	PASADOR	1 PIEZA.
16	CARRIL PICATINNY AUG A ₃	1 PIEZA.
17	TORNILLO	3 PIEZAS.
18	CARRIL PICATINNY CORTO	1 PIEZA.
19	TORNILLO	2 PIEZAS.
20	ANILLA CORREA TRANSPORTE, FRONTAL, SUCONJUNTO.	1 PIEZA.
21	PASADOR	1 PIEZA.

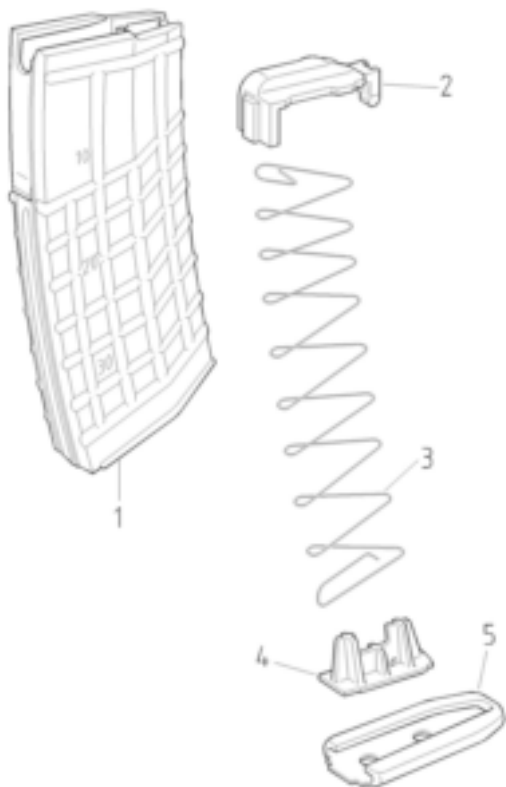


CAPÍTULO 11: LISTA DE PARTES

PIEZA	DESCRIPCIÓN	CANTIDAD
CONJUNTO DEL DISPARADOR		
1	CUERPO, MECANISMO DISPARADOR A ₃ SA	1 PIEZA.
2	RETÉN DE CARGADOR EN POSICIÓN ABIERTA A ₃	1 PIEZA.
3	MUELLE, RETÉN DE CARGADOR EN POSICIÓN ABIERTA	1 PIEZA.
4	PASADOR, RETÉN DE CARGADOR EN POSICIÓN ABIERTA	1 PIEZA.
5	MARTILLO SA	1 PIEZA.
6	MUELLE SA, MARTILLO DERECHO	1 PIEZA.
7	MUELLE SA, MARTILLO IZQUIERDO	1 PIEZA.
8	CORREDERA, MECANISMO DISPARADOR	1 PIEZA.
9	PASADOR, MECANISMO DISPARADOR	2 PIEZAS.
10	LEVA SA, DESCONEXIÓN	1 PIEZA.
11	PASADOR, LEVA, DESCONECTAR	1 PIEZA.
12	CERROJO, RETENCIÓN	1 PIEZA.
13	MUELLE, GATILLO	1 PIEZA.
14	CERROJO RETENCIÓN, SUBCONJUNTO.	1 PIEZA.
15	PASADOR, MARTILLO	1 PIEZA.
16	SEGURO CONTRA CAÍDAS, SUBCONJUNTO	1 PIEZA.
17	PASADOR ENGANCHE A ₃	1 PIEZA.

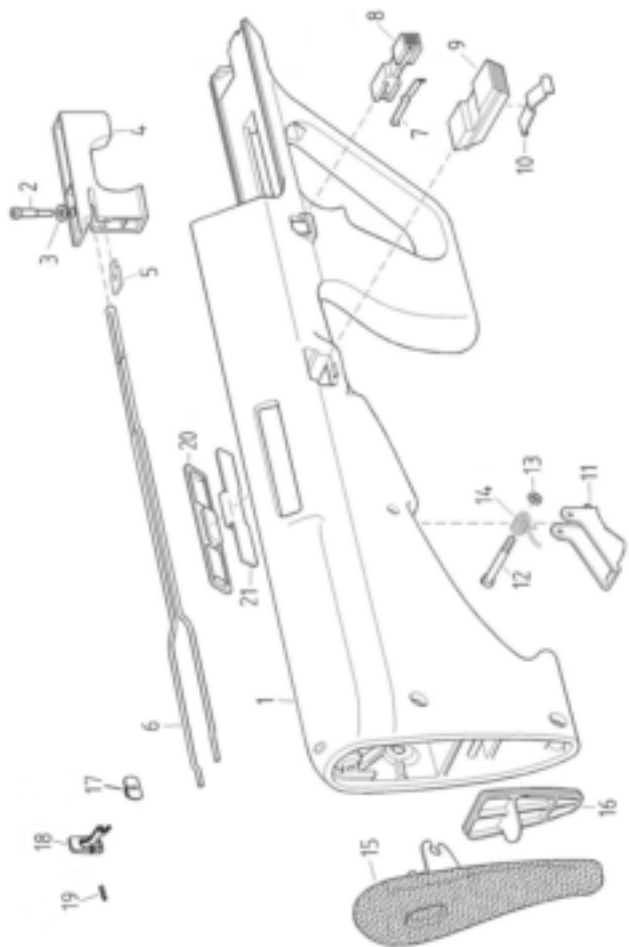


PIEZA	DESCRIPCIÓN	CANTIDAD
PIEZA	DESCRIPCIÓN	CANTIDAD
CONJUNTO DEL CERROJO		
1	PORTADOR CERROJO SA, SUBCONJUNTO.	1 PIEZA.
2	PISTÓN, MUELLE CERROJO LARGO	2 PIEZAS.
3	MUELLE CERROJO, LARGO	2 PIEZAS.
4	PIEZA EMPUJE, IZQUIERDA	1 PIEZA.
5	PIEZA EMPUJE, DERECHA	1 PIEZA.
6	CERROJO, DERECHO	1 PIEZA.
7	EXTRACTOR	1 PIEZA.
8	PASADOR, EXTRACTOR	1 PIEZA.
9	MUELLE, EXTRACTOR, SUBCONJUNTO	1 PIEZA.
10	EXPULSOR	1 PIEZA.
11	MUELLE, EXPULSOR	1 PIEZA.
12	PASADOR, EXPULSOR RETENCIÓN	1 PIEZA.
13	PIEZA CIERRE	1 PIEZA.
14	CERROJO, CONTROL	1 PIEZA.
15	MUELLE, CORREDERA PARA AMARTILLAR	1 PIEZA.
16	PASADOR, DISPARO, SUBCONJUNTO.	1 PIEZA.
17	MANGO, MUELLE, PIEZA CIERRE	1 PIEZA.
18	PIEZA PARA AMARTILLAR	1 PIEZA.
19	PASADOR, RETENCIÓN, PASADOR CONTR.	1 PIEZA.
20	RODILLO, CORREDERA	1 PIEZA.
21	PASADOR, RODILLO, CORREDERA	1 PIEZA.
22	DISPOSITIVO ANTIGIRO	1 PIEZA.
23	PASADOR	1 PIEZA.



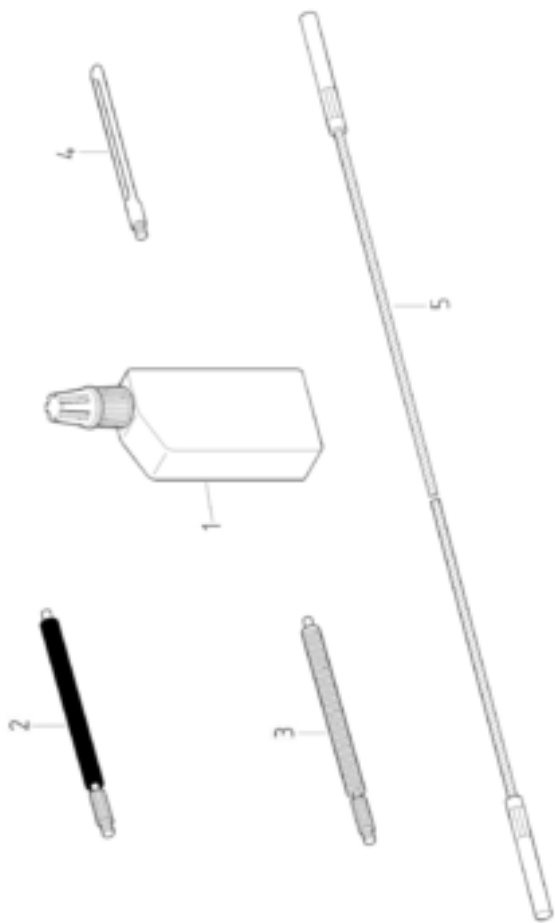
CAPÍTULO 11: LISTA DE PARTES

PIEZA	DESCRIPCIÓN	CANTIDAD
CONJUNTO DEL CARGADOR		
1	CUERPO, CARGADOR	1 PIEZA.
2	SEGUIDOR, NEGRO	1 PIEZA.
3	MUELLE	1 PIEZA.
4	DISPOSITIVO RETENIDA, NEGRO	1 PIEZA.
5	PLACA BASE, NEGRA	1 PIEZA.



CAPÍTULO 11: LISTA DE PARTES

PIEZA	DESCRIPCIÓN	CANTIDAD
CONJUNTO DE LA CULATA		
1	CULATA USA SA, SUBCONJUNTO., NEGRO	1 PIEZA.
2	TORNILLO, GATILLO	1 PIEZA.
3	ARANDELA, GATILLO	1 PIEZA.
4	GATILLO, NEGRO	1 PIEZA.
5	TUERCA, GATILLO	1 PIEZA.
6	FIADOR	1 PIEZA.
7	MUELLE, MECANISMO DE SEGURIDAD	1 PIEZA.
8	MECANISMO DE SEGURIDAD, NEGRO	1 PIEZA.
9	CERROJO RECEPTOR SA	1 PIEZA.
10	MUELLE, CERROJO RECEPTOR	1 PIEZA.
11	RETENIDA, CARGADOR, NEGRA	1 PIEZA.
12	CERROJO, RETENIDA CARGADOR	1 PIEZA.
13	TUERCA, RETENIDA CARGADOR	1 PIEZA.
14	MUELLE, RETENIDA DEL CARGADOR	1 PIEZA.
15	PLACA CULATA, SUBCONJUNTO, NEGRO	1 PIEZA.
16	TAPA, KIT DE LIMPIEZA COMP.	1 PIEZA.
17	INSERCIÓN	1 ppieza.
18	LEVA, DESENGANCHE CERROJO	1 PIEZA.
19	PASADOR	1 PIEZA.
20	TAPA EXPULSIÓN USA, EXTERNA, NEGRA	1 PIEZA.
21	TAPA EXPULSIÓN, INTERNA	1 PIEZA.



CAPÍTULO 11: LISTA DE PARTES

PIEZA	DESCRIPCIÓN	CANTIDAD
KIT DE LIMPIEZA		
1	BOTELLA, ACEITE	1 PIEZA.
2	CEPILLO, ALAMBRE SUBCONJUNTO.	1 PIEZA.
3	CEPILLO, CERDAS SUBCONJUNTO.	1 PIEZA.
4	SOPORTE, PARCHE SUBCONJUNTO.	1 PIEZA.
5	CORDÓN, LIMPIEZA	1 PIEZA.

Notes